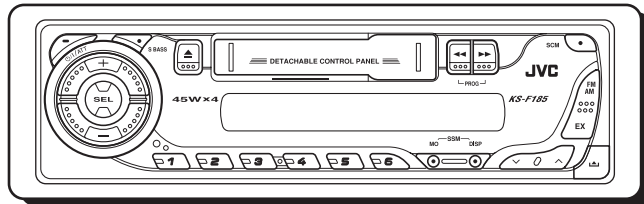
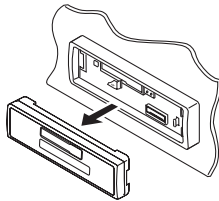


JVC

SERVICE MANUAL

CASSETTE RECEIVER

KS-F185, KS-F185S, KS-F185G



KS-F185

Area suffix

UH ----- Thailand
UN ----- Indonesia
U ----- Other Areas

KS-F185S

Area suffix

UN ----- Indonesia

KS-F185G

Area suffix

UN ----- Indonesia

TABLE OF CONTENTS

1	PRECAUTION	1-3
2	SPECIFIC SERVICE INSTRUCTIONS	1-4
3	DISASSEMBLY	1-5
4	ADJUSTMENT	1-13
5	TROUBLESHOOTING	1-17

SPECIFICATION

AUDIO AMPLIFIER SECTION

Maximum Power Output	Front	45 W per channel
	Rear	45 W per channel
Continuous Power Output (RMS)	Front	17 W per channel into 4 Ω , 40 Hz to 20 000 Hz at no more than 0.8% total harmonic distortion.
	Rear	17 W per channel into 4 Ω , 40 Hz to 20 000 Hz at no more than 0.8% total harmonic distortion.
Load Impedance		4 Ω (4 Ω to 8 Ω allowance)
Tone Control Range	Bass	± 10 dB at 100 Hz
	Treble	± 10 dB at 10 kHz
Frequency Response		40 Hz to 20 000 Hz
Signal-to-Noise Ratio		70 dB
Line-Out Level/Impedance		1.0 V/20 k Ω load (250 nWb/m)

TUNER SECTION

Frequency Range	FM	87.5 MHz to 108.0 MHz
	AM	531 kHz to 1 602 kHz
[FM Tuner]	Usable Sensitivity	11.3 dBf (1.0 μ V/75 Ω)
	50 dB Quieting Sensitivity	16.3 dBf (1.8 μ V/75 Ω)
	Alternate Channel Selectivity (400 kHz)	65 dB
	Frequency Response	40 Hz to 15 000 Hz
	Stereo Separation	35 dB
	Capture Ratio	2.0 dB
[AM Tuner]	Sensitivity	20 μ V
	Selectivity	35 dB

CASSETTE DECK SECTION

Wow & Flutter		0.15% (WRMS)
Fast-Wind Time		190 sec. (C-60)
Frequency Response		50 Hz to 14 000 Hz (Normal tape)
Signal-to-Noise Ratio		52 dB
Stereo Separation		40 dB

GENERAL

Power Requirement	Operating Voltage	DC 14.4 V (11 V to 16 V allowance)
Grounding System		Negative ground
Allowable Operating Temperature		0°C to +40°C
Dimensions (W \times H \times D)	Installation Size (approx.)	182 mm \times 52 mm \times 150 mm
	Panel Size (approx.)	188 mm \times 58 mm \times 11 mm
Mass (approx.)		1.3 kg (excluding accessories)

Design and specifications are subject to change without notice.

SECTION 1 PRECAUTION

1.1 Safety Precautions



CAUTION Burrs formed during molding may be left over on some parts of the chassis. Therefore, pay attention to such burrs in the case of performing repair of this system.

SECTION 2 SPECIFIC SERVICE INSTRUCTIONS

2.1 HOW TO IDENTIFY MODELS

2.1.1 NAME PLATE

<div style="text-align: center; border: 1px solid black; padding: 2px;"> N835 </div> <p style="margin-top: 5px;">Tuner Frequency Range :</p> <p style="margin-left: 20px;">FM : 87.5 MHz to 108.0 MHz</p> <p style="margin-left: 20px;">AM : 531 kHz to 1 602 kHz</p>	
<div style="display: flex; justify-content: space-between; align-items: center;"> <div style="border: 1px solid black; padding: 2px; font-weight: bold;">DESTINATION U3</div> </div> <p style="margin-top: 5px; font-weight: bold; font-size: 1.2em;">CASSETTE RECEIVER</p> <p style="margin-top: 5px; font-weight: bold; font-size: 1.5em;">MODEL NO. KS-F185</p> <p style="margin-top: 5px; font-size: 0.8em;">DC 12 V NEGATIVE GROUND</p>	
<p style="margin-top: 5px; font-weight: bold; font-size: 1.2em;">SERIAL NO.</p> <div style="border: 1px solid black; width: 100px; height: 15px; margin: 5px auto;"></div> <p style="margin-top: 5px; font-size: 0.8em;">Victor Company of Japan, Limited MADE IN INDONESIA</p>	<p style="margin-top: 5px; font-size: 0.8em;">GE31311-005A</p>

Discernment sign

SECTION 3 DISASSEMBLY

3.1 Main body

3.1.1 Removing the front panel assembly (See Fig.1)

- (1) Push the detach button and remove the front panel assembly.

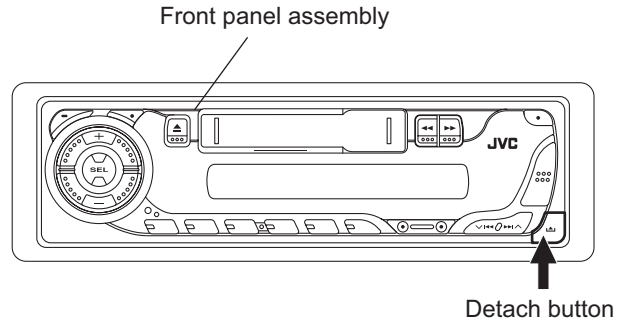


Fig.1

3.1.2 Removing the bottom cover (See Fig.2)

- Prior to performing the following procedures, remove the front panel assembly.
- (1) Turn the body upside down.
 - (2) Insert a screwdriver under the joints to release the two joints **a** on the left side, the two joints **b** on the right side and the joint **c** on the back of the body, then remove the bottom cover from the body.

CAUTION:

When releasing the joints using a screwdriver, do not damage the board.

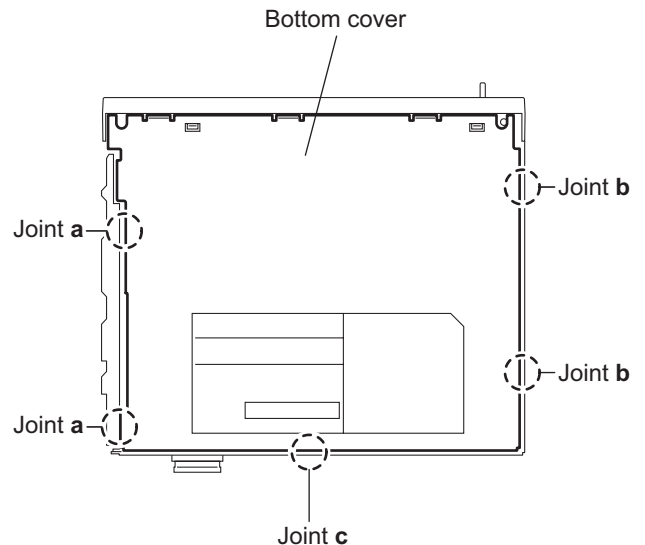


Fig.2

3.1.3 Removing the front chassis assembly (See Fig.3)

- Prior to performing the following procedures, remove the front panel assembly and bottom cover.
- (1) Remove the two screws **A** on each side of the body.
 - (2) Release the two joints **d** and the two joints **e** on the sides, then remove the front chassis assembly toward the front.

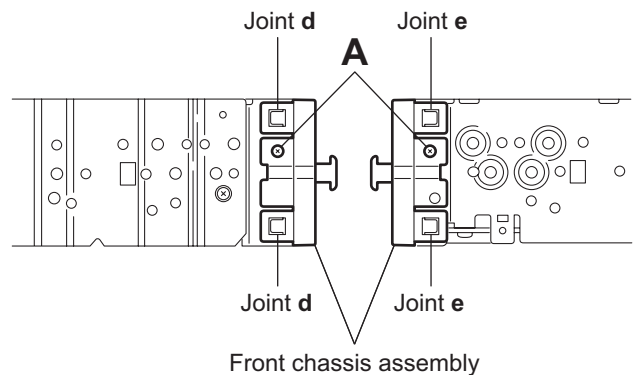


Fig.3

3.1.4 Removing the heat sink (See Fig.4)

- Prior to performing the following procedure, remove the front panel assembly.
 - (1) Remove the screw **B** and two screws **C** attaching the heat sink on the left side of the body, and remove the heat sink.

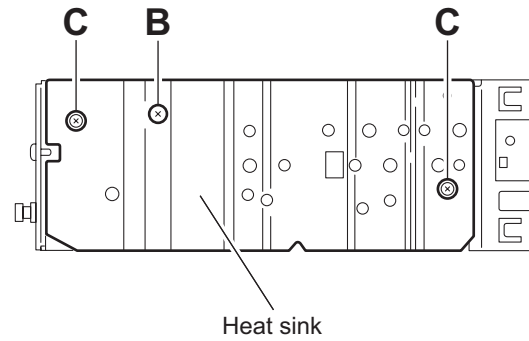


Fig.4

3.1.5 Removing the rear panel (See Fig.5)

- Prior to performing the following procedure, remove the front panel assembly and bottom cover.
 - (1) Remove the two screws **D**, screw **E** and three screws **F** attaching the rear panel on the back of the body.

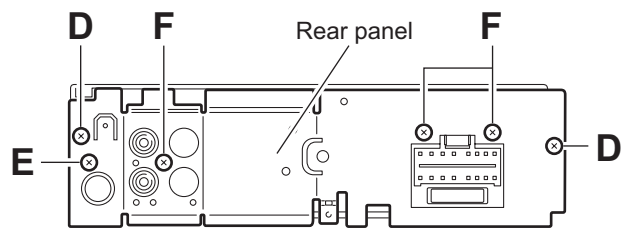


Fig.5

3.1.6 Removing the main board (See Fig.6)

- Prior to performing the following procedures, remove the front panel assembly, bottom cover, front chassis assembly, heat sink and rear panel.
 - (1) Remove the two screws **G** attaching the main board on the top chassis.
 - (2) Disconnect the two connectors ([CN901](#) and [CN721](#)) on the main board from the cassette mechanism assembly.

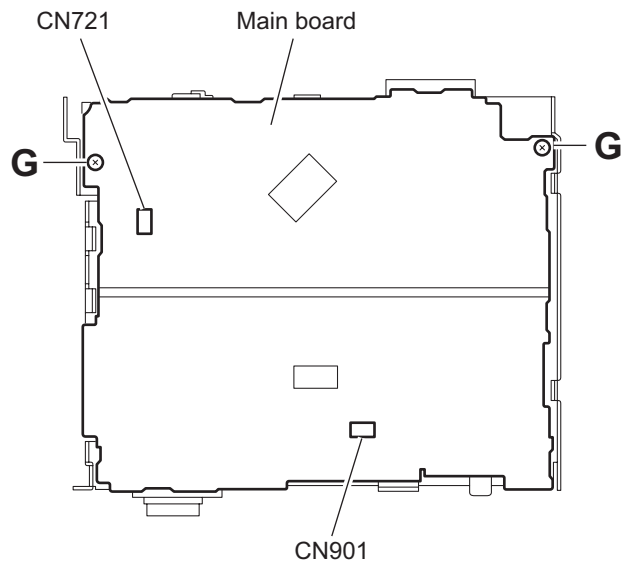


Fig.6

3.1.7 Removing the cassette mechanism assembly (See Fig.7)

- Prior to performing the following procedure, remove the front panel assembly, bottom cover, front chassis assembly, heat sink, rear panel and main board.
- (1) Remove the four screws **H** attaching the cassette mechanism assembly from the top chassis.

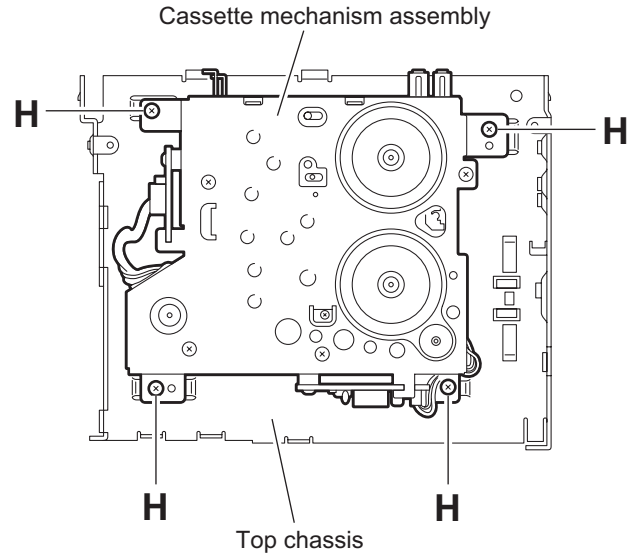


Fig.7

3.1.8 Removing the head amplifier board (See Fig.8)

- Prior to performing the following procedures, remove the front panel assembly, bottom cover, front chassis assembly, heat sink, rear panel, main board and cassette mechanism assembly.
- (1) Disconnect the wire from CJ901 on the head amplifier board.
- (2) Remove the one screw **J** attaching the head amplifier board.
- (3) Move the head amplifier board in the direction of the arrow to release the two joints **f**, the head amplifier board can be removed.

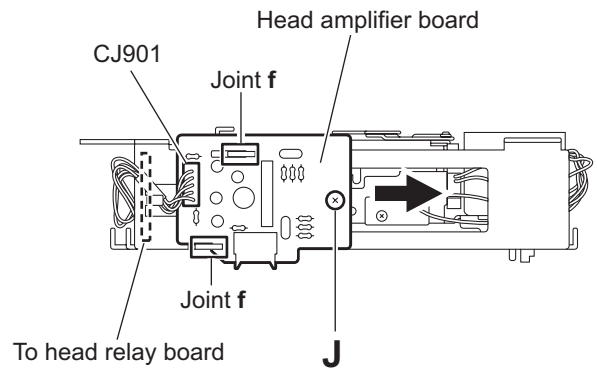


Fig.8

3.1.9 Removing the relay board (See Fig.9)

- Prior to performing the following procedures, remove the front panel assembly, bottom cover, front chassis assembly, heat sink, rear panel, main board and cassette mechanism assembly.
- (1) Disconnect the wire from [CP722](#) on the relay board.
- (2) Remove the one screw **K** attaching the relay board.
- (3) Move the relay board in the direction of the arrow to release the joint **g**, the relay board can be removed.

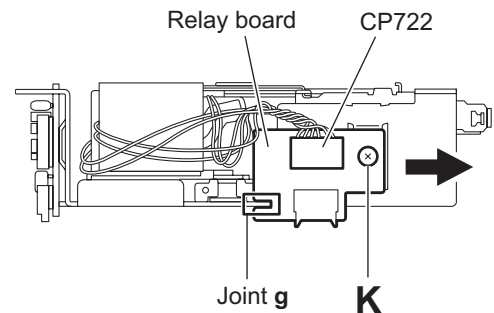


Fig.9

3.1.10 Removing the mecha bracket
(See Fig.10)

- Prior to performing the following procedure, remove the front panel assembly, bottom cover, front chassis assembly, heat sink, rear panel, main board, cassette mechanism assembly, head amplifier board and relay board.
- (1) Remove the four screws **L** attaching the mecha bracket.

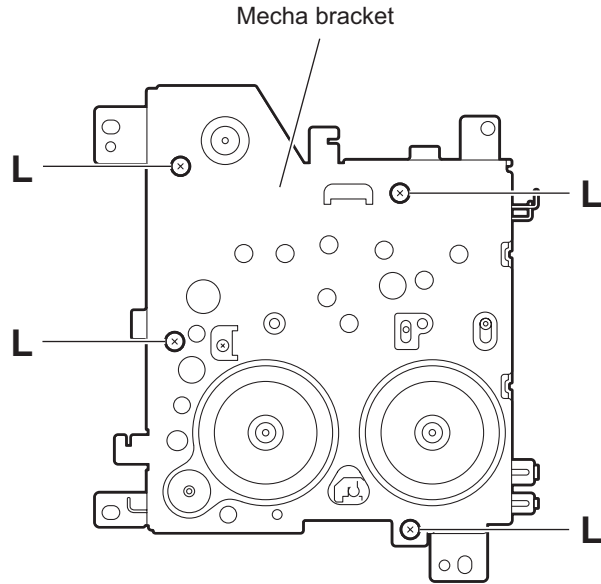


Fig.10

3.1.11 Removing the front board
(See Fig.11 to 13)

- Prior to performing the following procedures, remove the front panel assembly.
- (1) Remove the four screws **M** attaching the rear cover on the back of the front panel assembly. (See Fig.11)
- (2) Release the nine joints **h**, the front panel and the rear cover become separate. (See Fig.12)
- (3) Remove the front board from the rear cover. (See Fig.13)

Caution:

Take care not to lose the springs.

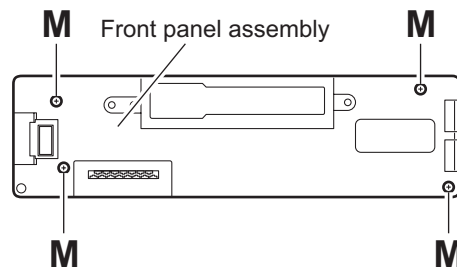


Fig.11

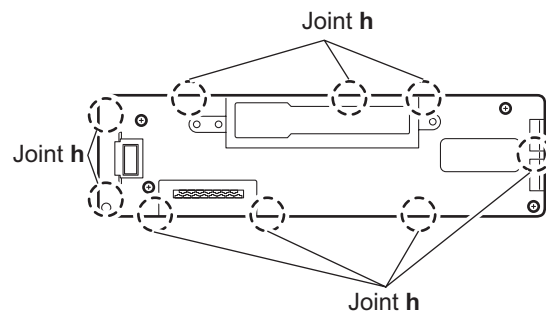


Fig.12

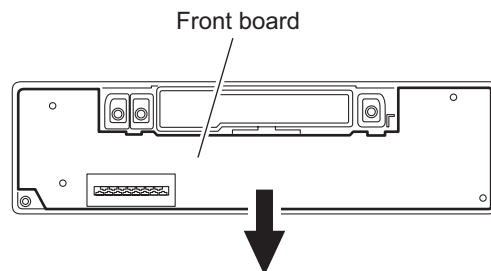


Fig.13

3.2 Cassette mechanism assembly

- Prior to performing the following procedures, remove the head amplifier board, the relay board and the mechanism bracket.

3.2.1 Removing the direction switch board (See Fig.1)

- (1) Unsolder the three wires **a** on the direction switch board.
- (2) Remove the one screw **A** attaching the direction switch board.

3.2.2 Removing the FF / REW lever assembly (See Fig.1)

- (1) Remove the screw **B** attaching the FF / REW lever assembly on the back of the cassette mechanism assembly.
- (2) Remove the screw **C** on the upper side of the FF / REW lever assembly.
- (3) Lift and pull forward the FF / REW lever assembly to disengage the joints **b**, **c**, **d** and **e**.

3.2.3 Reattaching the FF / REW lever assembly (See Fig.1)

- (1) Reattach the FF / REW lever assembly to the joint **c** on the back of the chassis.
- (2) Reattach the pinch-roller shaft **e**, the change lever **d** and the return link **e** to the chassis.

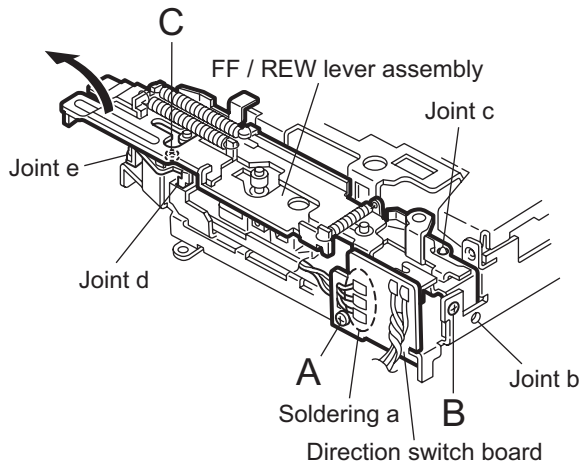


Fig.1

3.2.4 Removing the playback head (See Fig.2)

- Prior to performing the following procedure, remove the direction switch board and the FF / REW lever assembly.
- (1) Remove the screw **D** attaching the playback head.
 - (2) Remove the **C** washer and pull out the FF roller.
 - (3) Remove the **S** support plate, the A arm spring (**a**) and (**b**), the playback head.

ATTENTION:

The A arm spring (**a**) differs from the A arm spring (**b**).

3.2.5 Removing the pinch-roller (R) and (F) assembly (See Fig.2)

- Prior to performing the following procedure, remove the direction switch board and the FF / REW lever assembly.
- (1) Remove the P arm spring (**f**) in the pinch-roller (**F**) assembly from the chassis.
 - (2) Remove the P arm spring (**r**) in the pinch-roller (**R**) assembly from the chassis.
 - (3) Draw out the pinch roller (**F**) and (**R**) assembly from the shaft.

ATTENTION:

The P arm spring (**f**) differs from the P arm spring (**r**).

ATTENTION:

The pinch roller (**F**) assembly differs from the pinch roller (**R**) assembly.

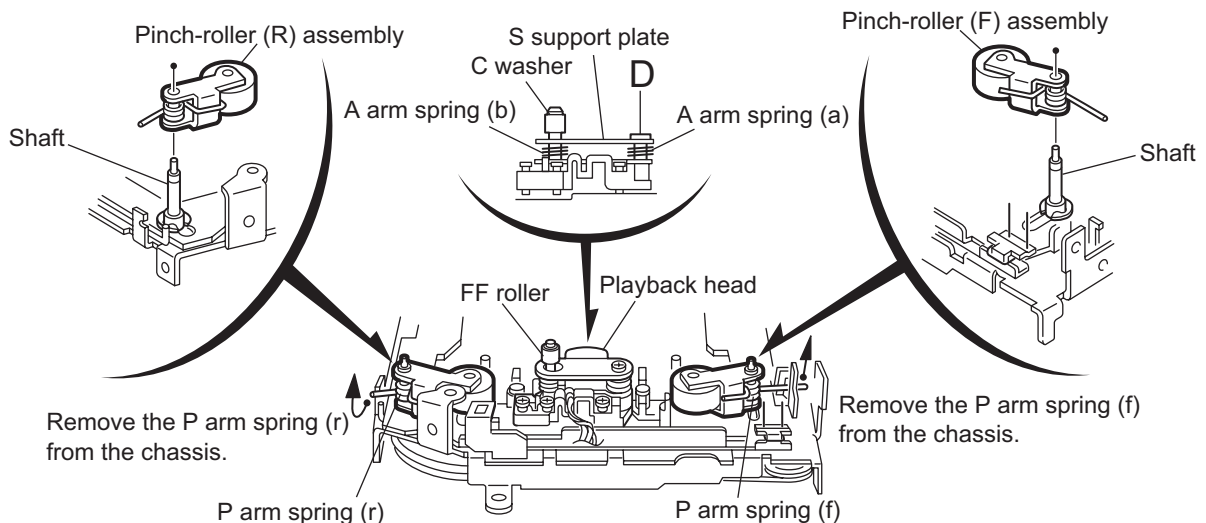
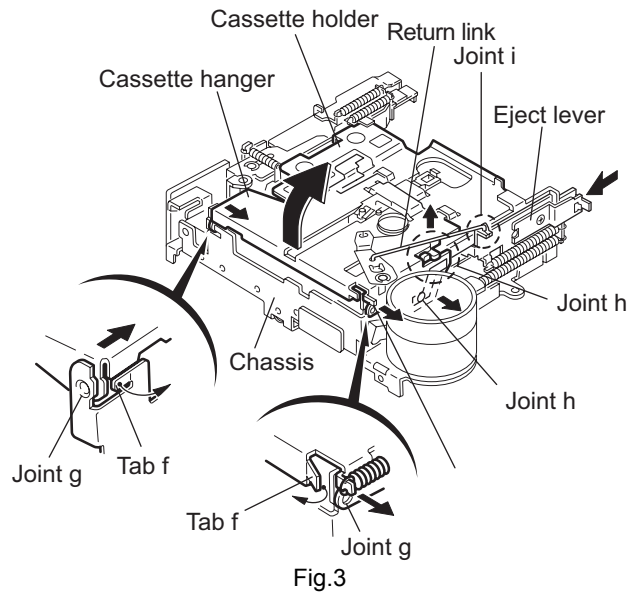


Fig.2

3.2.6 Removing the cassette hanger / cassette holder (See Fig.3)

- Prior to performing the following procedure, remove the FF / REW lever assembly.
 - (1) From the rear of the unit, bend the two tabs **f** outwards and disengage the two joints **g** in the direction of the arrow.
 - (2) Push the eject lever and remove the cassette holder from the playback head. Disengage the two joints **h** of the cassette hanger / cassette holder and the eject lever in the direction of the arrow.
 - (3) Lift the cassette hanger / cassette holder and disengage the joint **i** of the return link and the eject lever.

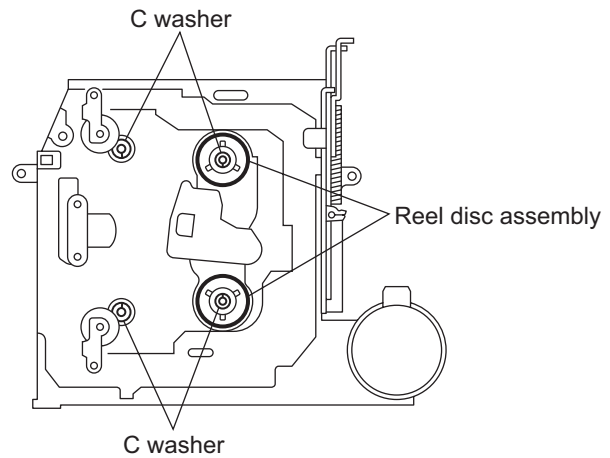


3.2.7 Removing the reel disc assembly (See Fig.4)

- Prior to performing the following procedure, remove the FF / REW lever assembly and the cassette hanger / cassette holder.
 - (1) Remove the C washer and pull out reel disc assembly.

ATTENTION:

Replace with a new C washer when reattaching.



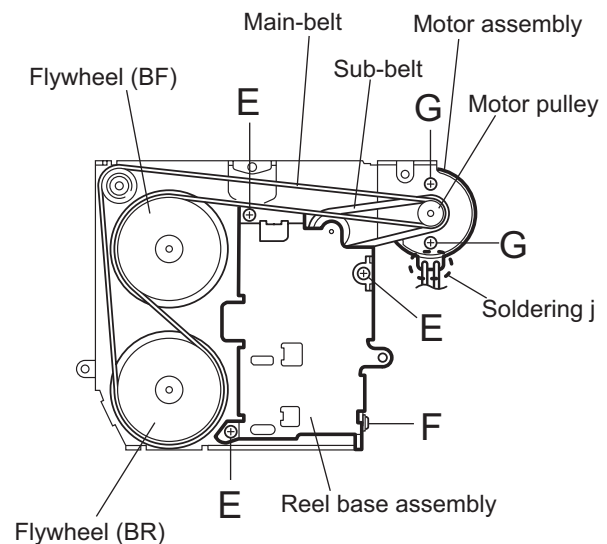
3.2.8 Removing the motor assembly (See Fig.5)

- (1) Unsolder the two wires **j** on the motor assembly.
- (2) Turn over the cassette mechanism assembly and remove the main belt and the sub-belt from the motor pulley.

ATTENTION:

The main belt can now be removed.

- (3) Remove the two screws **G** attaching the motor assembly.



3.2.9 Removing the Flywheel (BF) and (BR) assembly (See Fig.4 and 5)

- Prior to performing the following procedure, remove the cassette hanger / cassette holder.
- (1) From the upper side of the cassette mechanism assembly, remove the C washer from each shaft of the flywheel (BF) and (BR).
 - (2) Turn over the cassette mechanism assembly and remove the main belt. Pull out the flywheel (BF) and (BR) downward respectively.

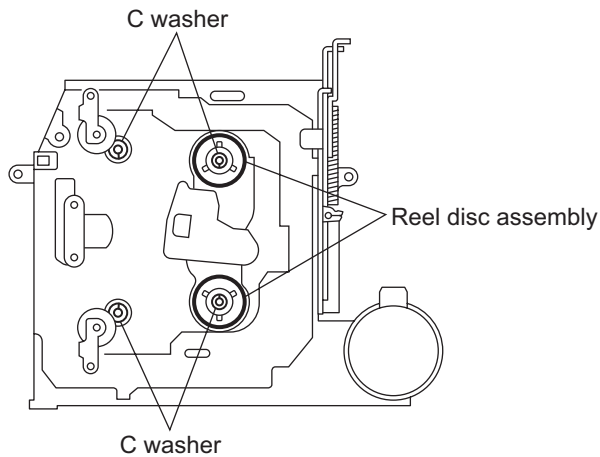


Fig.4

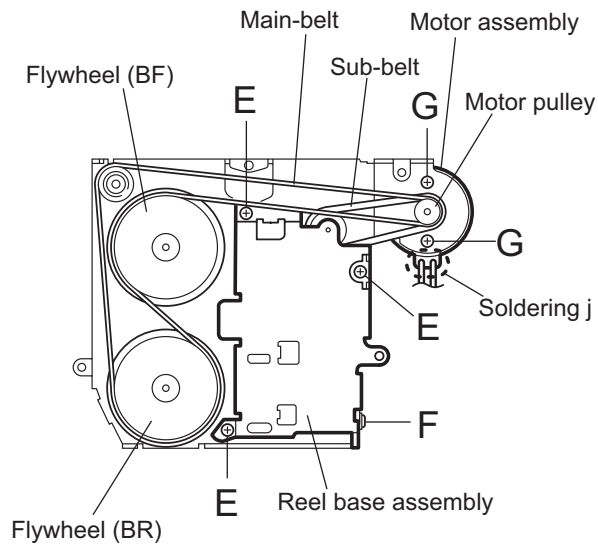


Fig.5

3.2.10 Removing the reel base assembly (See Fig.5 and 6)

- (1) Raise the part k of the reel base assembly slightly and remove the selector link (B) on the front side of the cassette mechanism assembly by turning it as shown in Fig.6.
- (2) Remove the three screws E and the one screw F on the underside of the cassette mechanism assembly.

ATTENTION:

The reel base assembly is not repairable. Handle with care.

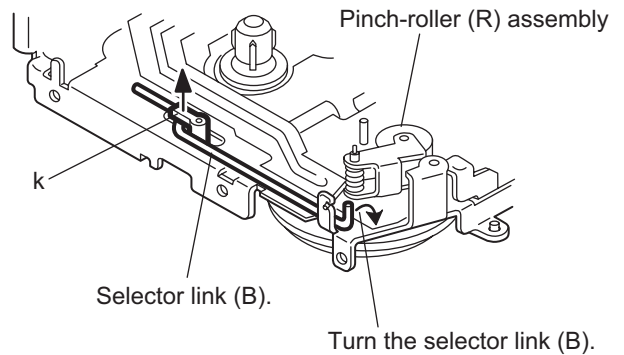


Fig.6

Inside of the reel base assembly

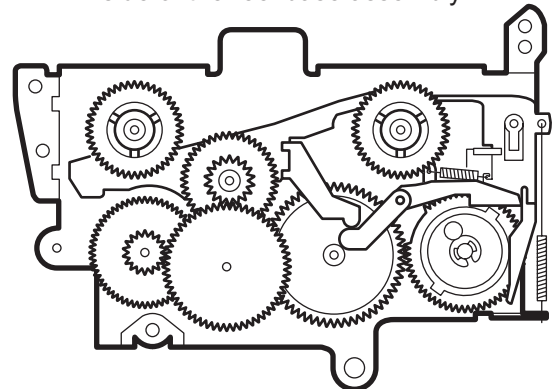
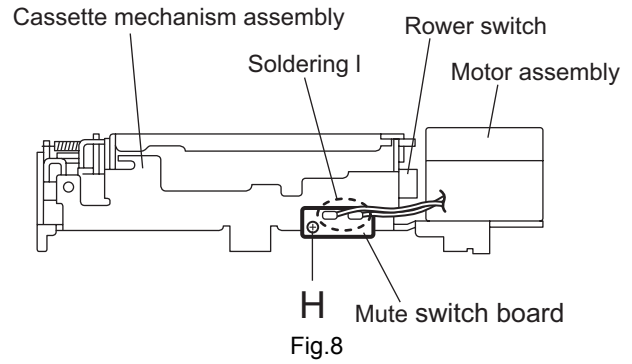


Fig.7

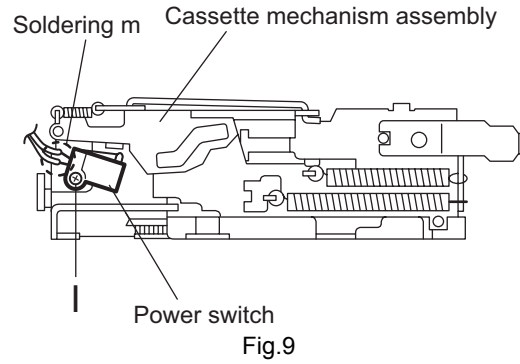
3.2.11 Removing the mute switch board (See Fig.8)

- (1) Unsolder the two wires **I** on the mute switch board on the back of the cassette mechanism assembly.
- (2) Remove the screw **H** attaching the mute switch board.



3.2.12 Removing the power switch (See Fig.9)

- Prior to performing the following procedure, remove the motor assembly.
- (1) Unsolder the two wires **m** on the power switch on the side of the cassette mechanism assembly.
- (2) Remove the screw **I** attaching the power switch.



SECTION 4 ADJUSTMENT

4.1 Adjustment method

■ Test instruments required for adjustment

- (1) Digital oscilloscope (100MHz)
- (2) Frequency counter meter
- (3) Electric voltmeter
- (4) Wow & flutter meter
- (5) Test tapes
 - VT724 : For DOLBY level measurement
 - VT739 : For playback frequency measurement
 - VT712 : For wow flutter & tape speed measurement
 - VT703 : For head azimuth measurement
- (6) Torque gauge : Cassette type for CTG-N (Mechanism adjustment)

■ Standard volume position

Balance and Bass, Treble volume, Fader : Center (Indication "0")

Loudness, Dolby NR, Sound, Cruise : Off

Volume position is about 2V at speaker output with following conditions, Playback the test tape VT721.

AM mode	999kHz/62dB, INT/400Hz, 30% modulation signal on receiving.
FM mono mode	97.9MHz/66dB, INT/400Hz, 22.5kHz deviation pilot off mono
FM stereo mode	1kHz, 67.5kHz dev. pilot 7.5kHz dev.
Output level	0dB (1 μ V, 50 Ω /open terminal)

■ Measuring conditions (Amplifier section)

Power supply voltage	: DC14.4V (11V to 16V)
Load impedance	: 4 Ω (4 Ω to 8 Ω allowance)
Line out	: 1.0V/20k Ω load (250 nWb/m)

■ Information for using a car audio service jig

- (1) We're advancing efforts to make our extension cords common for all car audio products.
Please use this type of extension cord as follows.
- (2) As a U-shape type top cover is employed, this type of extension cord is needed to check operation of the mechanism assembly after disassembly.
- (3) Extension cord : EXTKSRT002-6P (6 pin extension cord) For connection between mechanism assembly3. Extension cord : EXTKSRT002-6P (6 pin extension cord) For connection between mechanism assembly and main board.
- (4) Check for mechanism driving section such as motor ,etc.

■ Disassembly method

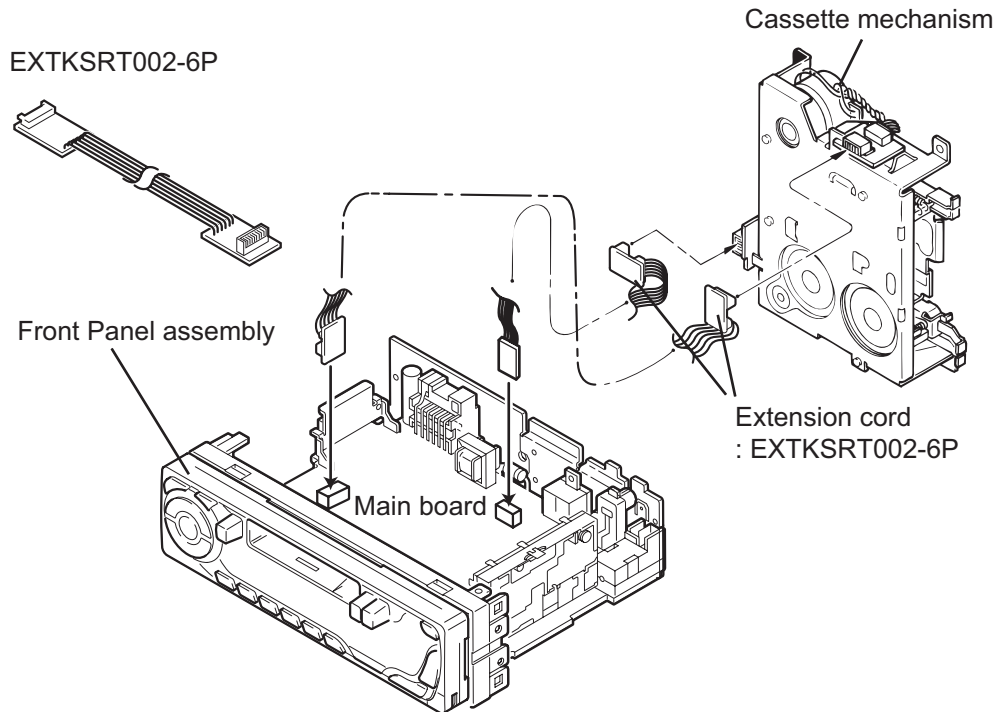
- (1) Remove the front panel assembly.
- (2) Remove the bottom cover.
- (3) Remove the front chassis assembly.
- (4) Remove the heat sink.
- (5) Remove the main board.
- (6) Reattach the heat sink with the screw B. (Refer to Disassembly method.)
- (7) Reattach the front panel assembly.
- (8) Confirm that current is being carried by connecting an extension cord jig.

NOTE:

Available to connect to the [CJ701](#) connector when installing the front panel.

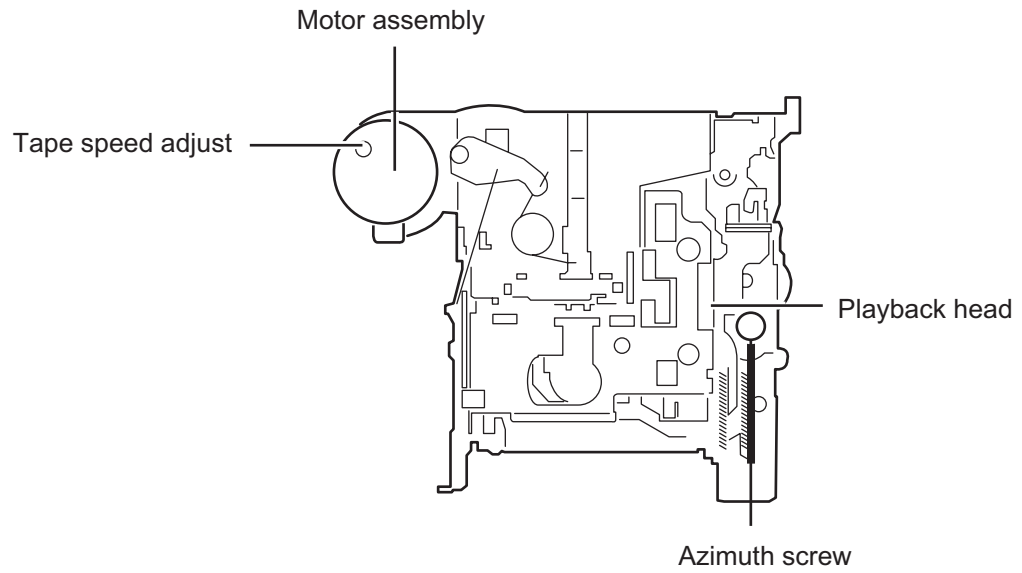
CAUTION :

**Be sure to attach the heat sink on the power amplifier IC of a main board when supplying the power.
If voltage is applied without attaching the heat sink, the power amplifier IC will be destroyed by heat.**

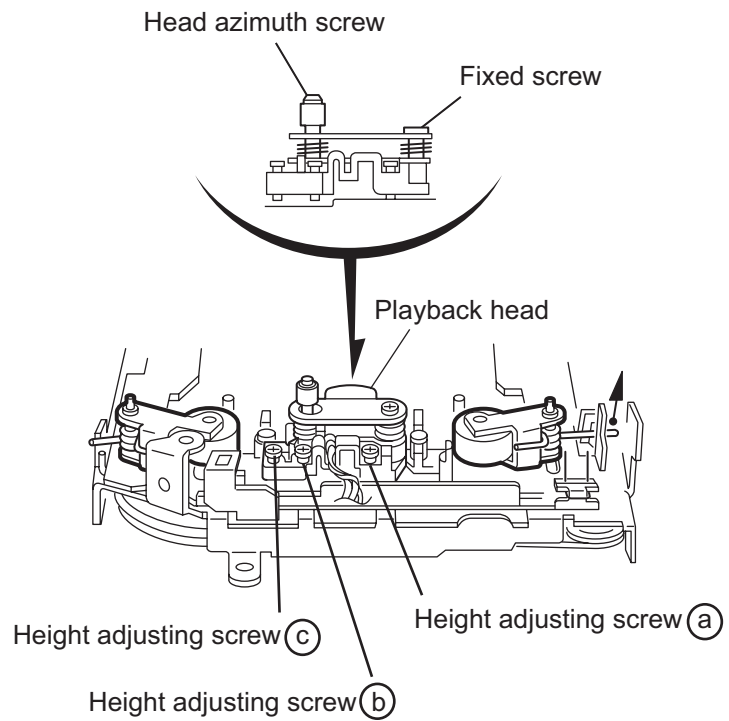


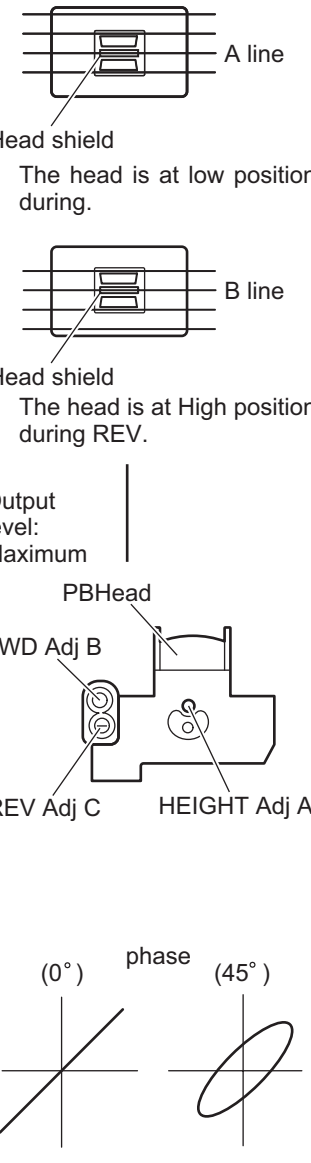
4.2 Arrangement of Adjusting & Test points

Cassette mechanism
(Surface)



Head section view

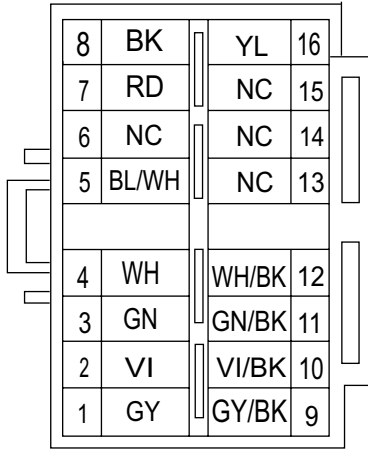


Item	Conditions	Adjustment and Confirmation methods	S.Values	Adjust
1. Head azimuth adjustment	Test tape: SCC-1659 VT703 (10kHz) Test tape: VT724 (1kHz) VT703 (10kHz) VT721 (315Hz)	<p>◆ Head height adjustment</p> <p>※ Adjust the azimuth directly. When you adjust the height using a mirror tape, remove the cassette housing from the mechanism chassis. After installing the cassette housing, perform the azimuth adjustment.</p> <ol style="list-style-type: none"> 1. Load the SCC-1659 mirror tape. Adjust with height adjustment screw A and azimuth adjustment screw B so that line A of the mirror tape runs in the center between Lch and Rch in the reverse play mode. 2. After switching from REV to FWD then to REV, check that the head position set in procedure 1 is not changed. (If the position has shifted, adjust again and check.) 3. Adjust with azimuth adjustment screw B so that line B of the mirror tape runs in the center between Lch and Rch in the forward play mode. <p>◆ Head azimuth adjustment</p> <ol style="list-style-type: none"> 1. Load VT724 (1kHz) and play it back in the reverse play mode. Set the Rch output level to max. 2. Load VT703 (10kHz) and play it back in the forward play mode. Adjust the Rch and Lch output levels to max, with azimuth adjustment screw B. In this case, the phase difference should be within 45°. 3. Engage the reverse mode and adjust the output level to max, with azimuth adjustment screw C. (The phase difference should be 45° or more.) 4. When switching between forward and reverse modes, the difference between channels should be within 3dB. (Between FWD L and R, REV L and R.) 5. When VT721 (315Hz) is played back, the level difference between channels should be within 1.5dB. 	<p>S.Values</p> <p>Head shield</p> <p>The head is at low position during.</p> <p>Head shield</p> <p>The head is at High position during REV.</p> <p>Output level: Maximum</p> <p>PBHead</p> <p>FWD Adj B</p> <p>REV Adj C</p> <p>HEIGHT Adj A</p> <p>phase (0°) (45°)</p> 	<p>Adjust</p> <p>Built-in volume resistor</p>
2. Tape speed and wow flutter confirmation	Test tape: VT712 (3kHz)	<ol style="list-style-type: none"> 1. Check to see if the reading of the F, counter / wow flutter meter is within 3015Hz to 3045Hz (FWD/ REV), and less than 0.35% (JIS RMS). 2. In case of out of specification, adjust the motor with a built-in volume resistor. 	Tape speed: 3015Hz to 3045Hz Wow flutter: less than 0.35%	Built-in volume resistor
3. Play back frequency response confirmation	Test tape: VT724 (1kHz) VT739 (63Hz / 1kHz / 10kHz)	<ol style="list-style-type: none"> 1. Play test tape VT724, and set the volume position at 2V. 2. Play test tape VT739 and confirm. 1kHz / 10kHz: $-1 \pm 3\text{dB}$, 1kHz / 63Hz: $0 \pm 3\text{dB}$, 3. When 10kHz is out of specification, it will be necessary to read adjust the azimuth. 	Speaker out 1kHz / 63Hz : $0 \pm 3\text{dB}$ 1kHz / 10kHz : $-1 \pm 3\text{dB}$	

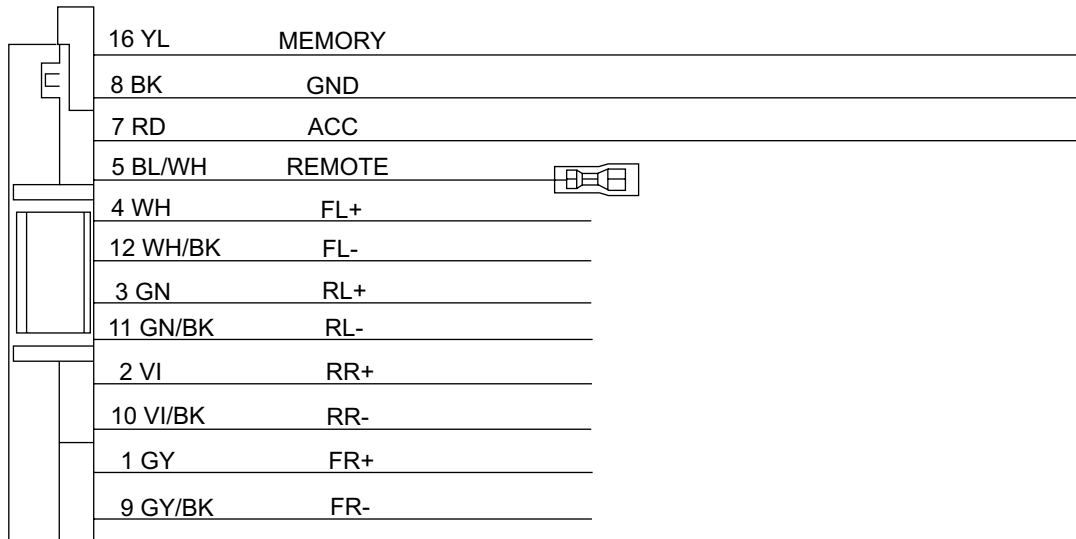
The tuner section is of an adjustment-free design. In case the tuner is in trouble, replace the tuner pack.

SECTION 5 TROUBLESHOOTING

5.1 16 PIN CORD DIAGRAM



BK	Black	GN	Green
RD	Red	VI	Violet
BL	Blue	GY	Gray
WH	White	YL	Yellow



RR	Rear Right	REMOTE	Remote out
FR	Front Right	ACC	ACC Line
FL	Front Left	MEMORY	Memory Backup Battery +
RL	Rear Left	GND	Ground



JVC

Victor Company of Japan, Limited
AV & MULTIMEDIA COMPANY CAR ELECTRONICS CATEGORY 10-1,1chome,Ohwatari-machi,Maebashi-city,371-8543,Japan

(No.MA094B)

PARTS LIST

[KS-F185] [KS-F185S]
[KS-F185G]

* All printed circuit boards and its assemblies are not available as service parts.

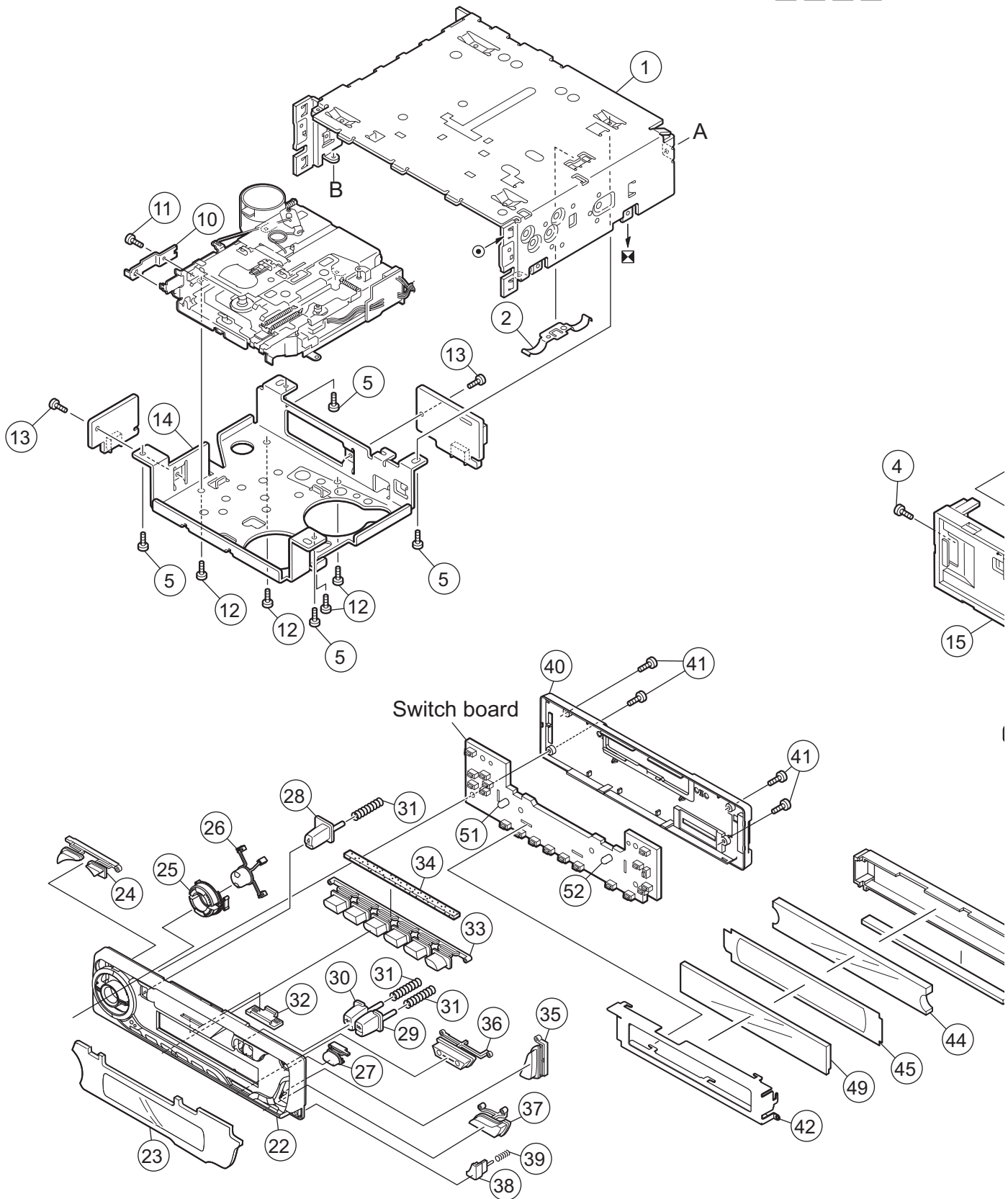
KS-F185
Area suffix
UH ----- Thailand
UN ----- Indonesia
U ----- Other Areas
KS-F185S
Area suffix
UN ----- Indonesia
KS-F185G
Area suffix
UN ----- Indonesia

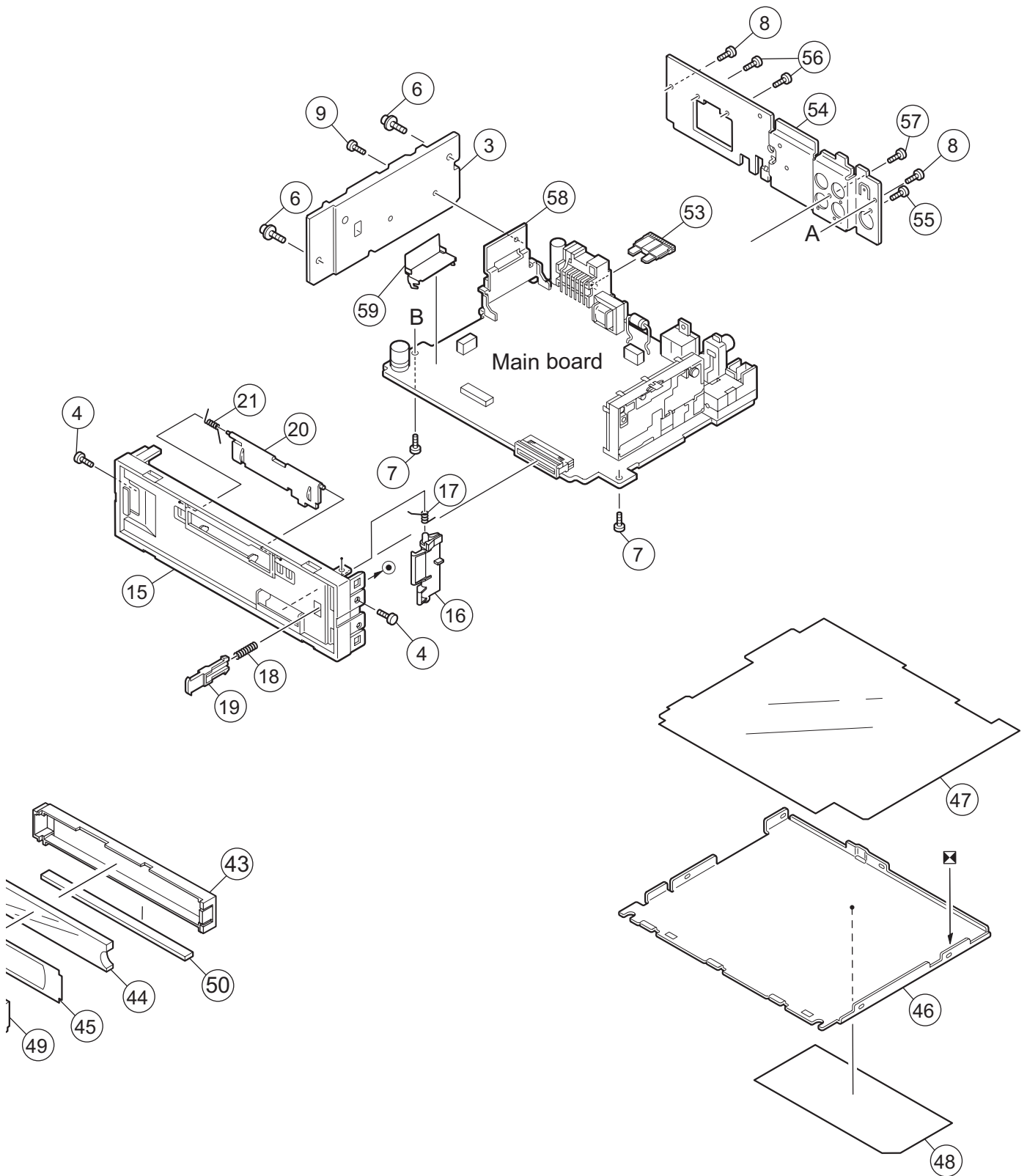
- Contents -

Exploded view of general assembly and parts list (Block No.M1)	3-2
Cassette mechanism assembly and parts list (Block No.MP)	3-5
Electrical parts list (Block No.01~03) (F185_UH,UN,U) (F185S/F185G_UN)	3-10
Electrical parts list (Block No.04~06) (F185_UH3,UN3,U3)	3-12
Packing materials and accessories parts list (Block No.M3)	3-16

Exploded view of general assembly and parts list

Block No. **M 1 M M**





General Assembly

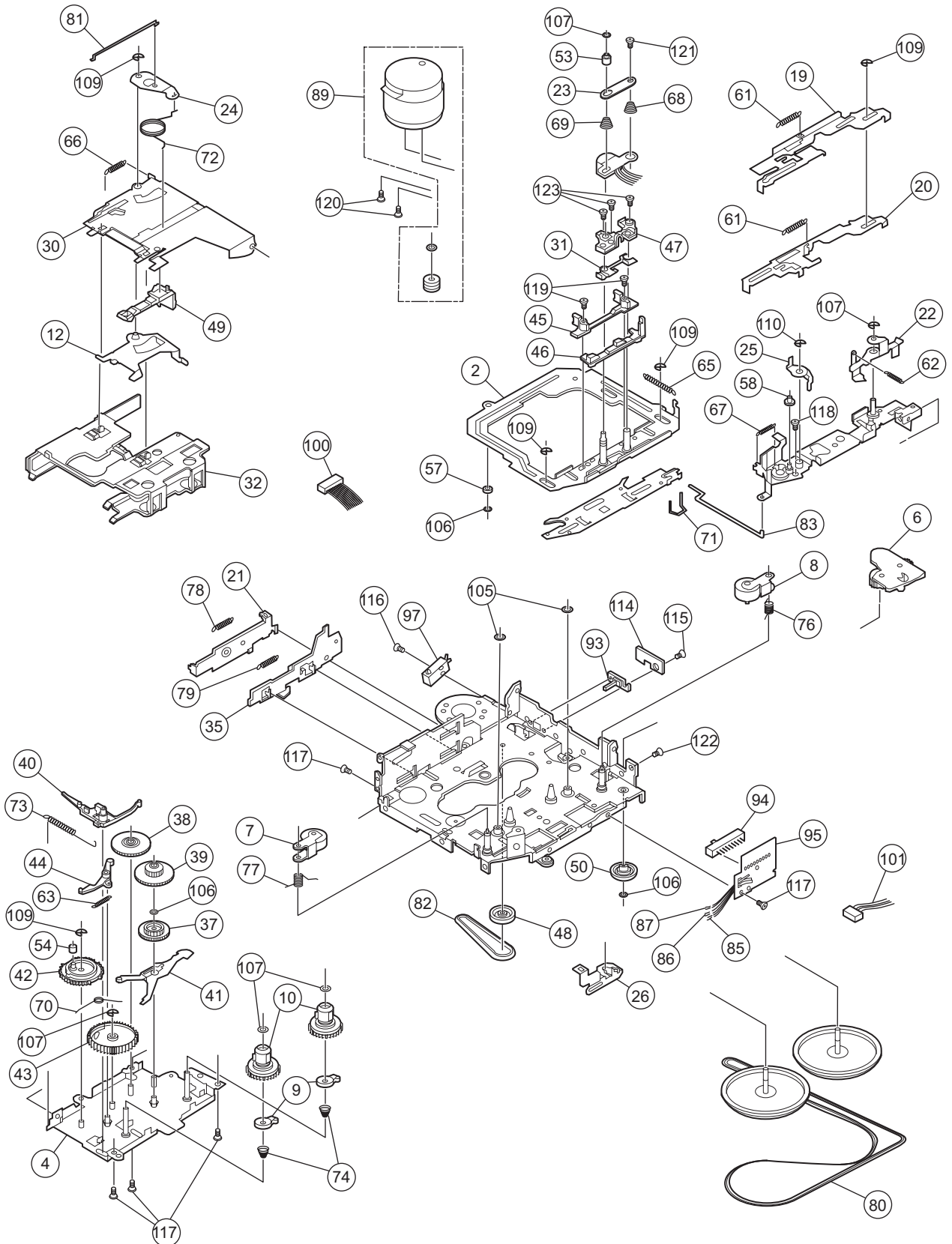
Block No. [M][1][M][M]

△	Symbol No.	Part No.	Part Name	Description	Local
	1	GE10043-012A	TOP CHASSIS		
	2	GE40135-001A	EARTH PLATE		
	3	GE30938-003A	SIDE PANEL		
	4	QYSDST2004ZA	TAP SCREW	M2 x 4mm(x2)	
	5	QYSDST2604ZA	TAP SCREW	M2.6 x 4mm(x4)	
	6	GE40235-001A	SCREW	(x2)	
	7	QYSDST2606ZA	TAP SCREW	M2.6 x 6mm(x2)	
	8	QYSDST2604ZA	TAP SCREW	M2.6 x 4mm(x2)	
	9	QYSDST2610ZA	TAP SCREW	M2.6 x 10mm	
	10	VKL7821-002	EJECT LEVER		
	11	QYSPSPT2625ZA	SCREW	M2.6 x 2.5mm	
	12	QYSDSP2604ZA	SCREW	M2.6 x 4mm(x4)	
	13	QYSDST2605ZA	TAP SCREW	M2.6 x 5mm(x2)	
	14	GE20134-002A	MECHA BKT		
	15	GE10095-001A	FRONT CHASSIS		
	16	GE31033-001A	LOCK LEVER		
	17	FSKW4005-003	TORSION SPRING		
	18	GE40202-005A	COMPRESSION SPRING		
	19	GE31034-001A	RLS KNOB		
	20	FSJC3014-002	CASSETTE LID		
	21	VKW4947-002	DOOR SPRING		
	22	GE10093-003A	FRONT PANEL		F185GUN
	22	GE10093-002A	FRONT PANEL		F185SUN
	22	GE10093-001A	FRONT PANEL		F185U,F185U3,F185UH,F185UH3,F185UN ,F185UN3
	23	GE31353-007A	FINDER ASSY		F185GUN
	23	GE31353-006A	FINDER ASSY		F185SUN
	23	GE31353-005A	FINDER ASSY		F185U,F185U3,F185UH,F185UH3,F185UN ,F185UN3
	24	GE31044-001A	POWER BUTTON		
	25	GE31345-001A	PLUS MINUS BTN		
	26	GE31346-001A	SEL BUTTON		
	27	GE31347-001A	SCM BTN		
	28	FSXP3065-002	EJECT BUTTON		
	29	FSXP3066-001	FF BUTTON		
	30	FSXP3067-001	REW BUTTON		
	31	FSKW3002-003	COMP.SPRING	(x3)	
	32	FSJK3014-001	LIGHT LENS		
	33	GE20161-001A	PRESET BUTTON		
	34	FSYH4036-031	SHEET		
	35	GE31024-006A	UP/DOWN BTN		
	36	GE31028-003A	SSM BTN		
	37	GE31025-003A	SEARCH BTN		
	38	GE31032-007A	DETACH BTN		F185GUN
	38	GE31032-006A	DETACH BTN		F185SUN
	38	GE31032-005A	DETACH BTN		F185U,F185U3,F185UH,F185UH3,F185UN ,F185UN3
	39	GE40202-003A	COMPRESSION SPRING		
	40	GE10094-001A	REAR COVER		
	41	VKZ4777-010	MINI SCREW	(x4)	
	42	GE31348-001A	LCD CASE		
	43	GE31349-001A	LENS CASE		
	44	GE31350-001A	LCD LENS		
	45	GE40232-001A	LIGHTING SHEET		
	46	GE30393-002A	BOTTOM COVER		
	47	FSMA3004-203	INSULATOR		
	48	GE31317-001A	NAME PLATE		F185GUN
	48	GE31314-001A	NAME PLATE		F185SUN
	48	GE31311-004A	NAME PLATE		F185U
	48	GE31311-005A	NAME PLATE		F185U3
	48	GE31311-001A	NAME PLATE		F185UH,F185UN
	48	GE31311-003A	NAME PLATE		F185UH3,F185UN3
	49	QLD0333-001	LCD MODULE		
	50	QNZ0440-001	LCD CONNECTOR		
	51	QLL0033-003	LAMP		
	52	QLL0033-003	LAMP		
△	53	QMFZ047-150-T	FUSE	15A	
	54	GE30912-017A	REAR BRACKET		
	55	QYSDST2606ZA	TAP SCREW	M2.6 x 6mm	
	56	QYSDSF2606ZA	TAP SCREW	M2.6 x 6mm(x2)	
	57	QYSDSF2606ZA	TAP SCREW	M2.6 x 6mm	
	58	GE40172-004A	IC BRACKET		
	59	GE40240-001A	REG IC BRACKET		

Cassette mechanism assembly and parts list

CDS-363SJ2

Block No. **M P M M**



Cassette mechanism

Block No. [M][P][M][M]

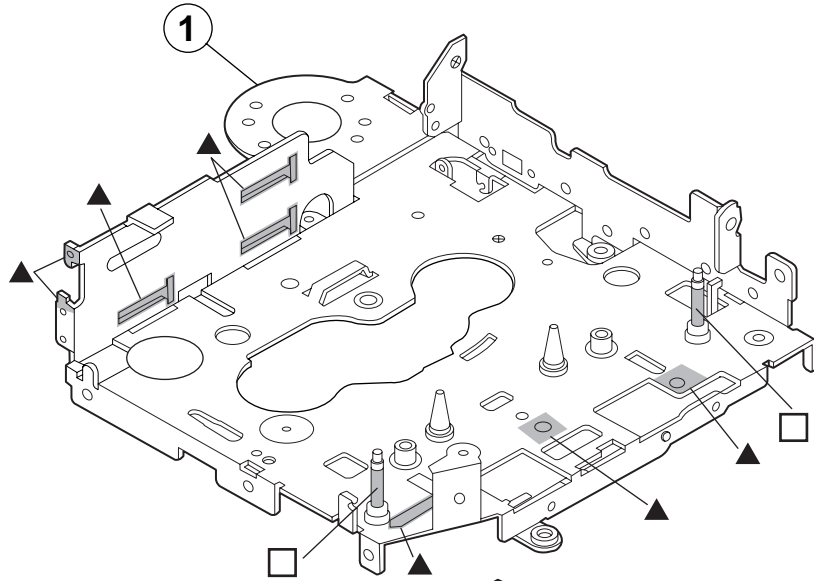
△	Symbol No.	Part No.	Part Name	Description	Local
	2	X-0363-1002S	HEAD PLATE ASSY		
	4	X-0363-6001S	REEL BASE ASSY		
	6	X-0363-6003S	TU GEAR ARM ASSY		
	7	X-0363-6004S	PINCH ARM(R) ASSY		
	8	X-0363-6005S	PINCH ARM(F) ASSY		
	9	X-0363-6006S	DETECTOR CAM ASSY	(x2)	
	10	X-0363-2005S	REEL SPINDLE ASSY	(x2)	
	12	X-0036-1019S	EJ.CAM LOCK ASY		
	19	1-0036-1065S	FF LEVER(JVC)		
	20	1-0036-1066S	REW LEVER(JVC)		
	21	1-0036-1007S	EJECT LEVER		
	22	1-0036-1013S	LOCK ARM		
	23	1-0036-1015S	SPG SUPPORT PLT		
	24	1-0036-1018S	CENTER PLATE		
	25	1-0036-1023S	CHANGE LEVER(B)		
	26	1-0036-1026S	FR ARM(B)		
	30	1-0138-1002S	CASSETTE HANGER		
	31	1-0138-1006S	ADJUSTER SHIN(X)		
	32	1-0138-1010S	CASSETTE HOLDER		
	35	1-0363-1003S	EJECT CAM		
	37	1-0036-2001S	IDLE GEAR		
	38	1-0036-2003S	REDUCT.GEAR(B)		
	39	1-0036-2004S	REDUCT.GEAR(A)		
	40	1-0036-2007-5S	RATCHET		
	41	1-0036-2009S	SENSOR ARM		
	42	1-0036-2010S	SELECTOR GEAR		
	43	1-0036-2014S	DETECTOR GEAR		
	44	1-0038-2014S	GEAR LOCK ARM		
	45	1-0038-2018S	TAPE GUIDE		
	46	1-0363-2006S	ADJUSTER LINK B		
	47	1-0138-2005-3S	ADJUSTER ARM(B)		
	48	1-0036-2005S	PULLEY GEAR		
	49	1-0032-2007S	TAPE HOOKER		
	50	1-0058-2021-5S	IDLE PULLEY(A)		
	53	1-0363-3018S	FF ROLLER		
	54	1-0036-3018S	COLLER		
	57	1-0363-3007S	HP ROLLER(A)		
	58	1-0363-3011S	PROGRAM ROLLER		
	61	1-0036-4001S	FF/REW LEVER SP		
	62	1-0036-4002S	LOCK LEVER SPG		
	63	1-0036-4003S	GEAR LOCK ARM S		
	65	1-0036-4006S	HEAD PLATE SPG		
	66	1-0036-4007S	EJ.CAM LOCK SPG		
	67	1-0036-4008S	PROGRAM ARM SPG		
	68	1-0036-4010S	ADJUST ARM SP(A)		
	69	1-0036-4011S	ADJUST ARM SP(B)		
	70	1-0036-4015S	DASH SPG		
	71	1-0036-4017S	CHANGING ARM SP		
	72	1-0036-4023S	CENTER PLT SP(B)		
	73	1-0038-4014S	RATCHET SPG		
	74	1-0138-4001S	BACK TENSION SP		
	76	1-0363-4003S	PINCH ARM SPG F		
	77	1-0363-4004S	PINCH ARM SPG R		
	78	1-0363-4005S	EJECT LEVER SPG		
	79	1-0036-4005S	EJECT CAM SPG		
	80	1-0036-5020S	MAIN BELT(AL)		
	81	1-0363-5007S	RETURN LINK		
	82	1-0036-5001S	SUB BELT		
	83	1-0363-5003S	SELECTOR LINK B		
	85	1-0036-7002S	WIRE(A)		
	86	1-0036-7003S	WIRE(B)		
	87	1-0036-7073S	WIRE(AL)		
	89	X-0363-7006S	MOTOR ASSY		
	93	1-0363-7001S	MUTE SW		
	94	1-0036-7007-1S	SLIDE SW		
	95	1-0363-7008S	SLIDE SW PWB		
	97	1-0036-7034S	POWER SW		
	100	1-0036-7089S	6P WIRE ASY(JVC)		
	101	1-0036-7088S	5P WIRE ASY(JVC)		
	105	2-1816-0032-E8S	MYLAR WASHER(S)	(x2)	
	106	2-1812-0030-D2S	PSW-S	(x3)	
	107	1-0036-5024S	PSW(REEL)	(x5)	
	109	2-1712-0050-16S	E RING	(x5)	
	110	2-1712-5060-16S	E RING		

△ Symbol No.	Part No.	Part Name	Description	Local
114	1-0363-7015S	MUTE SWITCH BOARD		
115	2-1331-7040-C2S	SCREW S		
116	2-1331-7060-C2S	SCREW S		
117	2-1382-0030-C2S	SCREW B	(x5)	
118	2-1332-0040-C1S	SCREW S		
119	2-1032-0070-C2S	SCREW	(x2)	
120	2-1032-0025-C2S	SCREW	(x2)	
121	2-1012-0040-C2S	SCREW		
122	2-1012-0030-F2S	SCREW		
123	1-0138-5002S	AZIMUTH SCREW	(x3)	

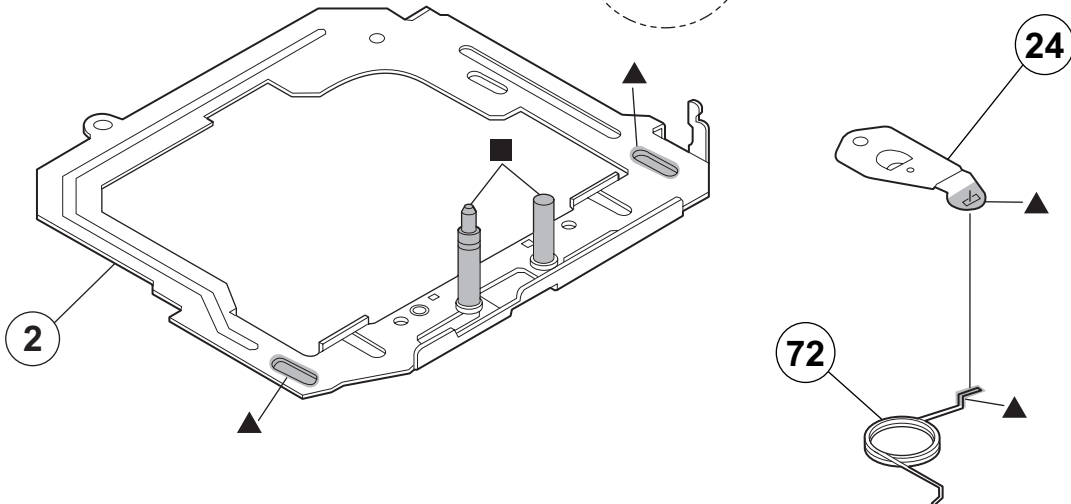
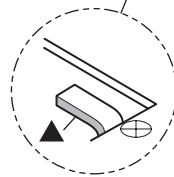
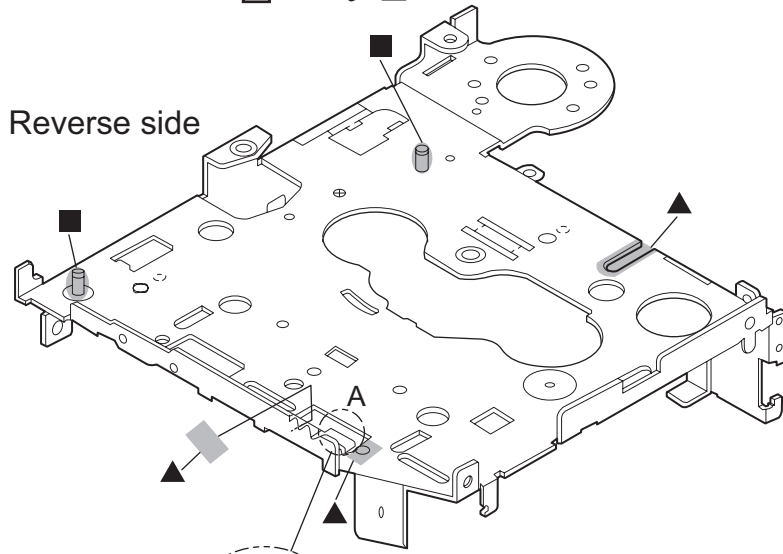
Grease point 1/2

Grease

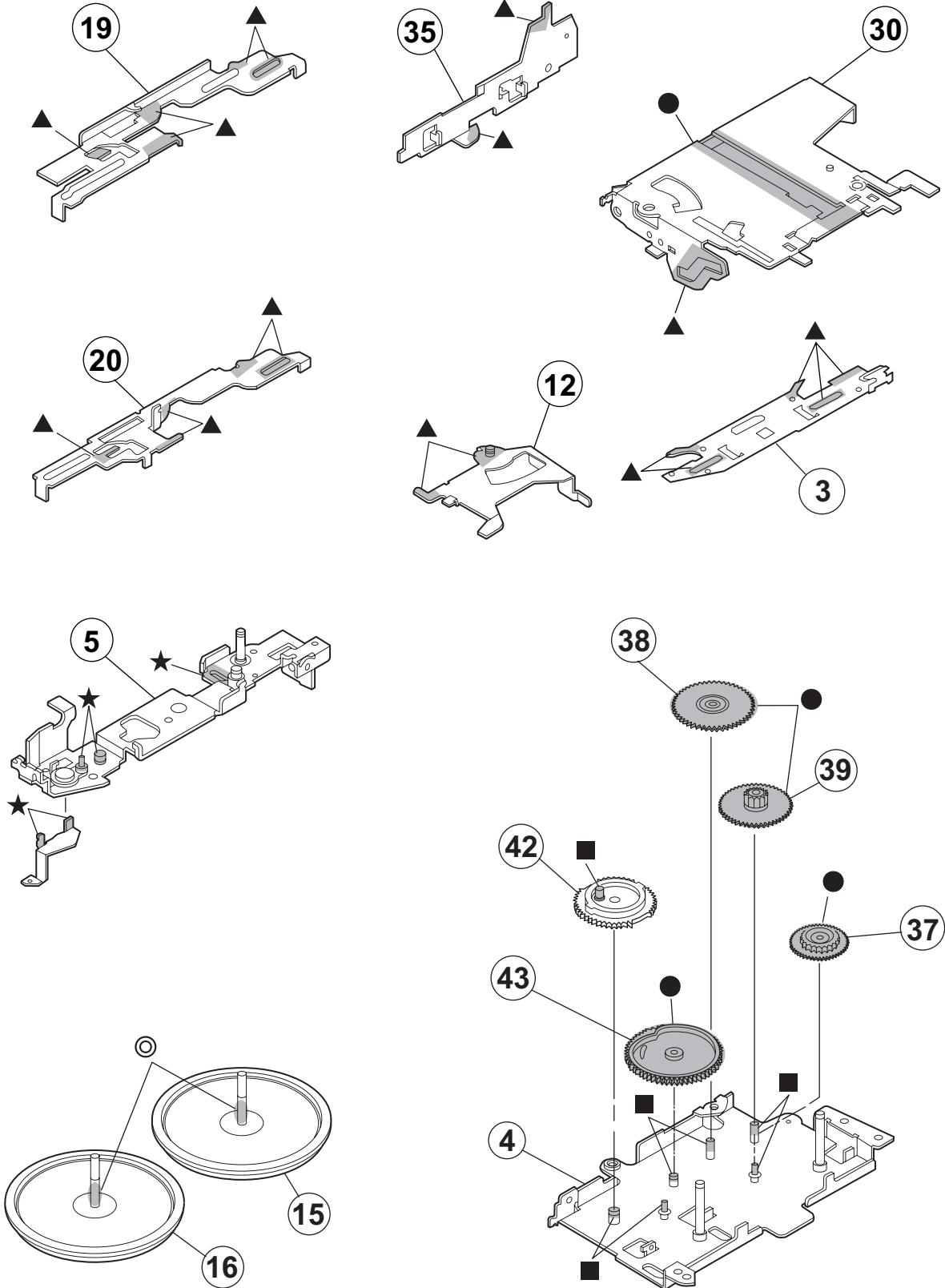
- FL-942
- SW-902
- ▲ SW-522B
- ★ FG-84M
- ◎ C68
- EP-56



Reverse side



Grease point 2/2



Electrical parts list

Main board

(F185_UH,UN,U)(F185S/F185G_UN)

Block No. [0][1]

△ Symbol No.	Part No.	Part Name	Description	Local
IC701	LC72362N-9C64	IC		
IC781	AN80T05LF	IC		
IC931	PT2319-L-X	IC		
IC981	LA4743K	POWER IC		
Q1	2SA1706/ST-T	TRANSISTOR		
Q2	KRC102M-T	DIGI TRANSISTOR		
Q3	KTA1267/YG-T	TRANSISTOR		
Q4	KRC102M-T	DIGI TRANSISTOR		
Q5	KRC102M-T	DIGI TRANSISTOR		
Q161	2SD2144S/VW/-T	TRANSISTOR		
Q261	2SD2144S/VW/-T	TRANSISTOR		
Q701	KTC3199/GL-T	TRANSISTOR		
Q771	KTC3199/GL-T	TRANSISTOR		
Q772	KTC3199/GL-T	TRANSISTOR		
Q781	KRC102M-T	DIGI TRANSISTOR		
Q782	2SA1706/ST-T	TRANSISTOR		
Q783	KRC102M-T	DIGI TRANSISTOR		
Q784	2SA1706/ST-T	TRANSISTOR		
Q789	KRA102M-T	DIGI TRANSISTOR		
Q971	KRC102M-T	DIGI TRANSISTOR		
Q972	KRA102M-T	DIGI TRANSISTOR		
Q987	KRA102M-T	DIGI TRANSISTOR		
Q988	KRC102M-T	DIGI TRANSISTOR		
Q989	KRA102M-T	DIGI TRANSISTOR		
D1	1SS119-041-T2	DIODE		
D2	1SS119-041-T2	DIODE		
D3	1SS119-041-T2	DIODE		
D4	1SS119-041-T2	DIODE		
D161	1SS119-041-T2	DIODE		
D261	1SS119-041-T2	DIODE		
D704	MTZJ6.2B-T2	Z DIODE		
D705	MTZJ6.2B-T2	Z DIODE		
D706	MTZJ6.2B-T2	Z DIODE		
D707	MTZJ6.2B-T2	Z DIODE		
D708	MTZJ6.2B-T2	Z DIODE		
D709	MTZJ6.2B-T2	Z DIODE		
D711	MTZJ6.2B-T2	Z DIODE		
D713	1SS119-041-T2	DIODE		
D714	1SS119-041-T2	DIODE		
D716	1SS119-041-T2	DIODE		
D718	1SS119-041-T2	DIODE		
D771	MTZJ9.1C-T2	Z DIODE		
D781	1SS119-041-T2	DIODE		
D782	1SS119-041-T2	DIODE		
D784	1A3G-T1	SI DIODE		
D785	1A3G-T1	SI DIODE		
D786	1A3G-T1	SI DIODE		
D791	1SS119-041-T2	DIODE		
D792	1SS119-041-T2	DIODE		
D961	RB721Q-40-T2	DIODE		
D973	1SS119-041-T2	DIODE		
D974	1SS119-041-T2	DIODE		
D981	1N5401-TM	SI DIODE		
D990	MTZJ11B-T2	Z DIODE		
C2	QDX11EK-223Z	C CAPACITOR	0.022uF 25V K	
C3	QEKJ1HM-104Z	E CAPACITOR	0.1uF 50V M	
C4	QEKJ1HM-104Z	E CAPACITOR	0.1uF 50V M	
C5	QEKJ1CM-106Z	E CAPACITOR	10uF 16V M	
C6	QDX11EK-223Z	C CAPACITOR	0.022uF 25V K	
C7	QDX11EK-223Z	C CAPACITOR	0.022uF 25V K	
C8	QERF1HM-104Z	E CAPACITOR	0.1uF 50V M	
C9	QDYB1CM-103Y	C CAPACITOR	0.01uF 16V M	
C11	QCBB1HK-331Y	C CAPACITOR	330pF 50V K	
C12	QCBB1HK-271Y	C CAPACITOR	270pF 50V K	
C15	QDYB1CM-103Y	C CAPACITOR	0.01uF 16V M	
C131	QERF1HM-105Z	E CAPACITOR	1uF 50V M	
C132	QERF1HM-105Z	E CAPACITOR	1uF 50V M	

△ Symbol No.	Part No.	Part Name	Description	Local
C134	QFV61HJ-823Z	MF CAPACITOR	0.082uF 50V J	
C135	QFV61HJ-823Z	MF CAPACITOR	0.082uF 50V J	
C136	QFV61HJ-154Z	MF CAPACITOR	0.15uF 50V J	
C137	QFV61HJ-154Z	MF CAPACITOR	0.15uF 50V J	
C138	QCFB1HZ-104Y	C CAPACITOR	0.1uF 50V Z	
C150	QERF1HM-225Z	E CAPACITOR	2.2uF 50V M	
C160	QERF1HM-225Z	E CAPACITOR	2.2uF 50V M	
C231	QERF1HM-105Z	E CAPACITOR	1uF 50V M	
C232	QERF1HM-105Z	E CAPACITOR	1uF 50V M	
C234	QFLA1HJ-152Z	M CAPACITOR	1500pF 50V J	
C235	QFV61HJ-823Z	MF CAPACITOR	0.082uF 50V J	
C236	QFV61HJ-823Z	MF CAPACITOR	0.082uF 50V J	
C237	QFV61HJ-154Z	MF CAPACITOR	0.15uF 50V J	
C238	QFV61HJ-154Z	MF CAPACITOR	0.15uF 50V J	
C250	QERF1HM-225Z	E CAPACITOR	2.2uF 50V M	
C260	QERF1HM-225Z	E CAPACITOR	2.2uF 50V M	
C701	QDUB1HJ-270Y	C CAPACITOR	27pF 50V J	
C702	QDCB1HJ-220Y	C CAPACITOR	22pF 50V J	
C703	QERF0JM-107Z	E CAPACITOR	100uF 6.3V M	
C704	QFV61HJ-224Z	MF CAPACITOR	0.22uF 50V J	
C705	QERF1CM-106Z	E CAPACITOR	10uF 16V M	
C706	QDYB1CM-103Y	C CAPACITOR	0.01uF 16V M	
C707	QFV61HJ-103Z	MF CAPACITOR	0.01uF 50V J	
C708	QCFB1HZ-104Y	C CAPACITOR	0.1uF 50V Z	
C709	QERF1HM-474Z	E CAPACITOR	0.47uF 50V M	
C710	QCFB1HZ-104Y	C CAPACITOR	0.1uF 50V Z	
C771	QERF1AM-227Z	E CAPACITOR	220uF 10V M	
C772	QERF1HM-225Z	E CAPACITOR	2.2uF 50V M	
C773	QDGB1HK-102Y	C CAPACITOR	1000pF 50V K	
C781	QERF1CM-106Z	E CAPACITOR	10uF 16V M	
C783	QETN0JM-228Z	E CAPACITOR	2200uF 6.3V M	
C784	QERF1AM-227Z	E CAPACITOR	220uF 10V M	
C785	QERF1CM-106Z	E CAPACITOR	10uF 16V M	
C786	QERF1AM-227Z	E CAPACITOR	220uF 10V M	
C931	QEKJ1AM-107Z	E CAPACITOR	100uF 10V M	
C932	QCFB1HZ-104Y	C CAPACITOR	0.1uF 50V Z	
C933	QERF1HM-105Z	E CAPACITOR	1uF 50V M	
C934	QERF1CM-226Z	E CAPACITOR	22uF 16V M	
C940	QERF1HM-105Z	E CAPACITOR	1uF 50V M	
C941	QERF1HM-105Z	E CAPACITOR	1uF 50V M	
C942	QFLA1HJ-152Z	M CAPACITOR	1500pF 50V J	
C943	QERF1HM-105Z	E CAPACITOR	1uF 50V M	
C972	QERF1AM-227Z	E CAPACITOR	220uF 10V M	
C974	QFV61HJ-224Z	MF CAPACITOR	0.22uF 50V J	
C975	QFV61HJ-224Z	MF CAPACITOR	0.22uF 50V J	
C976	QFV61HJ-224Z	MF CAPACITOR	0.22uF 50V J	
C977	QFV61HJ-224Z	MF CAPACITOR	0.22uF 50V J	
C981	QEZ0645-228	E CAPACITOR	2200uF	
C982	QERF1CM-476Z	E CAPACITOR	47uF 16V M	
C983	QCFB1HZ-104Y	C CAPACITOR	0.1uF 50V Z	
C984	QERF1CM-106Z	E CAPACITOR	10uF 16V M	
C985	QERF1EM-475Z	E CAPACITOR	4.7uF 25V M	
C986	QERF1CM-226Z	E CAPACITOR	22uF 16V M	
C987	QEKJ1CM-106Z	E CAPACITOR	10uF 16V M	
C988	QERF1CM-476Z	E CAPACITOR	47uF 16V M	
C989	QERF1CM-106Z	E CAPACITOR	10uF 16V M	
C990	QCFB1HZ-104Y	C CAPACITOR	0.1uF 50V Z	
C991	QCFB1HZ-104Y	C CAPACITOR	0.1uF 50V Z	
C992	QCFB1HZ-104Y	C CAPACITOR	0.1uF 50V Z	
C993	QCFB1HZ-104Y	C CAPACITOR	0.1uF 50V Z	
C994	QCBB1HK-471Y	C CAPACITOR	470pF 50V K	
C995	QCBB1HK-471Y	C CAPACITOR	470pF 50V K	
C996	QCBB1HK-471Y	C CAPACITOR	470pF 50V K	
C997	QCBB1HK-471Y	C CAPACITOR	470pF 50V K	
R1	QRE141J-100Y	C RESISTOR	10Ω 1/4W J	
R2	QRE141J-102Y	C RESISTOR	1kΩ 1/4W J	
R3	QRE141J-102Y	C RESISTOR	1kΩ 1/4W J	
R4	QRE141J-103Y	C RESISTOR	10kΩ 1/4W J	
R5	QRE141J-102Y	C RESISTOR	1kΩ 1/4W J	
R6	QRE141J-103Y	C RESISTOR	10kΩ 1/4W J	
R9	QRE141J-103Y	C RESISTOR	10kΩ 1/4W J	
R10	QRE141J-103Y	C RESISTOR	10kΩ 1/4W J	
R14	QRE141J-822Y	C RESISTOR	8.2kΩ 1/4W J	
R15	QRE141J-223Y	C RESISTOR	22kΩ 1/4W J	
R16	QRE141J-104Y	C RESISTOR	100kΩ 1/4W J	

△ Symbol No.	Part No.	Part Name	Description	Local	△ Symbol No.	Part No.	Part Name	Description	Local
R17	QRE141J-222Y	C RESISTOR	2.2kΩ 1/4W J		CN901	QGB1214J1-06S	CONNECTOR	B-B (1-6)	
R51	QRE141J-391Y	C RESISTOR	390Ω 1/4W J		CP981	QNZ0611-001	16P CONNECTOR		
R52	QRE141J-512Y	C RESISTOR	5.1kΩ 1/4W J		J1	QNB0100-002	CAR ANT JACK		
R61	QRE141J-391Y	C RESISTOR	390Ω 1/4W J		TU1	QAU0311-001	TUNER		
R62	QRE141J-512Y	C RESISTOR	5.1kΩ 1/4W J		X701	QAX0406-001Z	CRYSTAL	4.500MHz	
R131	QRE141J-392Y	C RESISTOR	3.9kΩ 1/4W J						
R132	QRE141J-752Y	C RESISTOR	7.5kΩ 1/4W J						
R163	QRE141J-102Y	C RESISTOR	1kΩ 1/4W J						
R164	QRE141J-101Y	C RESISTOR	100Ω 1/4W J						
R165	QRE141J-222Y	C RESISTOR	2.2kΩ 1/4W J						
R231	QRE141J-392Y	C RESISTOR	3.9kΩ 1/4W J						
R232	QRE141J-752Y	C RESISTOR	7.5kΩ 1/4W J						
R263	QRE141J-102Y	C RESISTOR	1kΩ 1/4W J						
R264	QRE141J-101Y	C RESISTOR	100Ω 1/4W J						
R265	QRE141J-222Y	C RESISTOR	2.2kΩ 1/4W J						
R702	QRE141J-473Y	C RESISTOR	47kΩ 1/4W J						
R703	QRE141J-473Y	C RESISTOR	47kΩ 1/4W J						
R704	QRE141J-103Y	C RESISTOR	10kΩ 1/4W J						
R705	QRE141J-473Y	C RESISTOR	47kΩ 1/4W J						
R707	QRE141J-473Y	C RESISTOR	47kΩ 1/4W J						
R708	QRE141J-473Y	C RESISTOR	47kΩ 1/4W J						
R709	QRE141J-472Y	C RESISTOR	4.7kΩ 1/4W J						
R710	QRE141J-472Y	C RESISTOR	4.7kΩ 1/4W J						
R711	QRE141J-224Y	C RESISTOR	220kΩ 1/4W J						
R712	QRE141J-472Y	C RESISTOR	4.7kΩ 1/4W J						
R713	QRE141J-472Y	C RESISTOR	4.7kΩ 1/4W J						
R714	QRE141J-472Y	C RESISTOR	4.7kΩ 1/4W J						
R715	QRE141J-222Y	C RESISTOR	2.2kΩ 1/4W J						
R718	QRE141J-332Y	C RESISTOR	3.3kΩ 1/4W J						
R719	QRE141J-332Y	C RESISTOR	3.3kΩ 1/4W J						
R720	QRE141J-332Y	C RESISTOR	3.3kΩ 1/4W J						
R721	QRE141J-332Y	C RESISTOR	3.3kΩ 1/4W J						
R722	QRE141J-332Y	C RESISTOR	3.3kΩ 1/4W J						
R724	QRE141J-472Y	C RESISTOR	4.7kΩ 1/4W J						
R725	QRE141J-473Y	C RESISTOR	47kΩ 1/4W J						
R726	QRE141J-473Y	C RESISTOR	47kΩ 1/4W J						
R727	QRE141J-473Y	C RESISTOR	47kΩ 1/4W J						
R728	QRE141J-103Y	C RESISTOR	10kΩ 1/4W J						
R771	QRE141J-472Y	C RESISTOR	4.7kΩ 1/4W J						
R772	QRE141J-103Y	C RESISTOR	10kΩ 1/4W J						
R773	QRE141J-102Y	C RESISTOR	1kΩ 1/4W J						
R774	QRE141J-152Y	C RESISTOR	1.5kΩ 1/4W J						
R783	QRE141J-473Y	C RESISTOR	47kΩ 1/4W J						
R784	QRE141J-102Y	C RESISTOR	1kΩ 1/4W J						
R785	QRE141J-473Y	C RESISTOR	47kΩ 1/4W J						
R786	QRE141J-102Y	C RESISTOR	1kΩ 1/4W J						
R787	QRE141J-101Y	C RESISTOR	100Ω 1/4W J						
R788	QRE141J-242Y	C RESISTOR	2.4kΩ 1/4W J						
R789	QRE141J-104Y	C RESISTOR	100kΩ 1/4W J						
R790	QRE141J-474Y	C RESISTOR	470kΩ 1/4W J						
R792	QRE141J-6R8Y	C RESISTOR	6.8Ω 1/4W J						
R795	QRE141J-183Y	C RESISTOR	18kΩ 1/4W J						
R796	QRE141J-473Y	C RESISTOR	47kΩ 1/4W J						
R797	QRE141J-123Y	C RESISTOR	12kΩ 1/4W J						
R931	QRE141J-100Y	C RESISTOR	10Ω 1/4W J						
R941	QRE141J-332Y	C RESISTOR	3.3kΩ 1/4W J						
R972	QRE141J-272Y	C RESISTOR	2.7kΩ 1/4W J						
R973	QRE141J-472Y	C RESISTOR	4.7kΩ 1/4W J						
R985	QRE141J-472Y	C RESISTOR	4.7kΩ 1/4W J						
R990	QRE141J-103Y	C RESISTOR	10kΩ 1/4W J						
R991	QRE141J-273Y	C RESISTOR	27kΩ 1/4W J						
R992	QRE141J-273Y	C RESISTOR	27kΩ 1/4W J						
R993	QRE141J-273Y	C RESISTOR	27kΩ 1/4W J						
R994	QRE141J-273Y	C RESISTOR	27kΩ 1/4W J						
R996	QRE141J-473Y	C RESISTOR	47kΩ 1/4W J						
R997	QRE141J-473Y	C RESISTOR	47kΩ 1/4W J						
R998	QRE141J-473Y	C RESISTOR	47kΩ 1/4W J						
R999	QRE141J-473Y	C RESISTOR	47kΩ 1/4W J						
L1	QQL231K-4R7Y	INDUCTOR I/M	4.7uH K						
L781	QQL231K-470Y	INDUCTOR I/M	47uH K						
L782	QQL231K-470Y	INDUCTOR I/M	47uH K						
L783	QQL231K-470Y	INDUCTOR I/M	47uH K						
L981	QQR1367-001	CHOKE COIL							
CJ701	VMC0334-001	CONNECTOR							
CJ921	QNN0519-001	PIN JACK							
CN721	QGB1214J1-06S	CONNECTOR	B-B (1-6)						

Switch board (F185_UH,UN,U) (F185S/F185G_UN)

Block No. [0][2]

△ Symbol No.	Part No.	Part Name	Description	Local
IC651	LC75823W	IC		
D601	SML-310LT/MN/-X	LED		
D602	LNJ308G81/1-3/X	LED		
D603	LNJ308G81/1-3/X	LED		
D604	LNJ308G81/1-3/X	LED		
D605	LNJ308G81/1-3/X	LED		
D606	LNJ308G81/1-3/X	LED		
D607	LNJ308G81/1-3/X	LED		
D608	LNJ308G81/1-3/X	LED		
D609	LNJ308G81/1-3/X	LED		
D610	LNJ308G81/1-3/X	LED		
D611	LNJ308G81/1-3/X	LED		
D612	LNJ308G81/1-3/X	LED		
D613	LNJ308G81/1-3/X	LED		
D614	LNJ308G81/1-3/X	LED		
D615	LNJ308G81/1-3/X	LED		
D616	LNJ308G81/1-3/X	LED		
D617	LNJ308G81/1-3/X	LED		
D618	LNJ308G81/1-3/X	LED		
D619	LNJ308G81/1-3/X	LED		
D654	UDZS5.1B-X	Z DIODE		
C651	NCB31CK-105X	C CAPACITOR	1uF 16V K	
C652	NBE20JM-475X	TA E CAPACITOR	4.7uF 6.3V M	
C653	NCB31HK-681X	C CAPACITOR	680pF 50V K	
R601	NRSA63J-681X	MG RESISTOR	680Ω 1/16W J	
R602	NRSA63J-561X	MG RESISTOR	560Ω 1/16W J	
R603	NRSA63J-681X	MG RESISTOR	680Ω 1/16W J	
R604	NRSA63J-911X	MG RESISTOR	910Ω 1/16W J	
R605	NRSA63J-681X	MG RESISTOR	680Ω 1/16W J	
R606	NRSA63J-561X	MG RESISTOR	560Ω 1/16W J	
R607	NRSA63J-681X	MG RESISTOR	680Ω 1/16W J	
R608	NRSA63J-911X	MG RESISTOR	910Ω 1/16W J	
R609	NRSA63J-122X	MG RESISTOR	1.2kΩ 1/16W J	
R610	NRSA63J-152X	MG RESISTOR	1.5kΩ 1/16W J	
R611	NRSA63J-222X	MG RESISTOR	2.2kΩ 1/16W J	
R612	NRSA63J-681X	MG RESISTOR	680Ω 1/16W J	
R613	NRSA63J-561X	MG RESISTOR	560Ω 1/16W J	
R614	NRSA63J-681X	MG RESISTOR	680Ω 1/16W J	
R615	NRSA63J-911X	MG RESISTOR	910Ω 1/16W J	
R635	NRS181J-221X	MG RESISTOR	220Ω 1/8W J	
R636	NRSA02J-122X	MG RESISTOR	1.2kΩ 1/10W J	
R637	NRSA02J-122X	MG RESISTOR	1.2kΩ 1/10W J	
R638	NRSA02J-821X	MG RESISTOR	820Ω 1/10W J	
R639	NRSA02J-821X	MG RESISTOR	820Ω 1/10W J	
R640	NRSA02J-431X	MG RESISTOR	430Ω 1/10W J	
R642	NRSA02J-271X	MG RESISTOR	270Ω 1/10W J	
R644	NRSA02J-271X	MG RESISTOR	270Ω 1/10W J	
R646	NRSA02J-821X	MG RESISTOR	820Ω 1/10W J	
R647	NRSA02J-821X	MG RESISTOR	820Ω 1/10W J	
R648	NRSA02J-431X	MG RESISTOR	430Ω 1/10W J	
R650	NRSA02J-431X	MG RESISTOR	430Ω 1/10W J	
R652	NRSA02J-122X	MG RESISTOR	1.2kΩ 1/10W J	
R653	NRSA02J-122X	MG RESISTOR	1.2kΩ 1/10W J	
R654	NRSA02J-152X	MG RESISTOR	1.5kΩ 1/10W J	
R655	NRSA02J-473X	MG RESISTOR	47kΩ 1/10W J	
R657	NRSA02J-184X	MG RESISTOR	180kΩ 1/10W J	
R661	NRSA63J-103X	MG RESISTOR	10kΩ 1/16W J	
R662	NRSA63J-103X	MG RESISTOR	10kΩ 1/16W J	

Symbol No.	Part No.	Part Name	Description	Local
R663	NRSA63J-103X	MG RESISTOR	10kΩ 1/16W J	
CP701	VMC0335-001	PANEL CONNECTOR		
S601	NSW0124-001X	TACT SW		
S602	NSW0124-001X	TACT SW		
S603	NSW0124-001X	TACT SW		
S604	NSW0124-001X	TACT SW		
S605	NSW0124-001X	TACT SW		
S606	NSW0124-001X	TACT SW		
S607	NSW0124-001X	TACT SW		
S608	NSW0124-001X	TACT SW		
S609	NSW0124-001X	TACT SW		
S610	NSW0124-001X	TACT SW		
S611	NSW0124-001X	TACT SW		
S612	NSW0124-001X	TACT SW		
S613	NSW0124-001X	TACT SW		
S614	NSW0124-001X	TACT SW		
S615	NSW0124-001X	TACT SW		
S616	NSW0124-001X	TACT SW		
S617	NSW0124-001X	TACT SW		
S618	NSW0124-001X	TACT SW		

Main board (F185_UH3,UN3,U3)

Block No. [0][4]

Symbol No.	Part No.	Part Name	Description	Local
IC701	UPD178078GF-708	IC		
IC902	KIA7810API	IC		
IC911	TEA6320T-X	IC		
IC941	LA4743K	POWER IC		
IC961	AN80T05LF	IC		
Q2	UN2211-X	TRANSISTOR		
Q7	2SC3661-X	TRANSISTOR		
Q8	KRC101S-X	TRANSISTOR		
Q10	2SC3661-X	TRANSISTOR		
Q11	2SC2412K/R/-X	TRANSISTOR		
Q12	2SC2412K/R/-X	TRANSISTOR		
Q131	2SC2412K/R/-X	TRANSISTOR		
Q231	2SC2412K/R/-X	TRANSISTOR		
Q701	2SC2412K/R/-X	TRANSISTOR		
Q953	UN2211-X	TRANSISTOR		
Q959	UN2211-X	TRANSISTOR		
Q960	2SA1037AK/RS/-X	TRANSISTOR		
Q961	2SA1037AK/RS/-X	TRANSISTOR		
Q962	2SB1322/RS/-T	TRANSISTOR		
Q963	2SA1037AK/RS/-X	TRANSISTOR		
Q964	UN2211-X	TRANSISTOR		
Q965	UN2211-X	TRANSISTOR		
Q966	UN2211-X	TRANSISTOR		
Q967	2SA1037AK/RS/-X	TRANSISTOR		
Q978	UN2211-X	TRANSISTOR		
Q979	UN2111-X	TRANSISTOR		
Q981	UN2111-X	TRANSISTOR		

Mechanism control board (F185_UH,UN,U) (F185S/F185G_UN)

Block No. [0][3]

Symbol No.	Part No.	Part Name	Description	Local
IC901	UPC1228HA	IC		
C101	QDGB1HK-821Y	C CAPACITOR	820pF 50V K	
C102	QEKJ1HM-474Z	E CAPACITOR	0.47uF 50V M	
C103	QCBB1HK-101Y	C CAPACITOR	100pF 50V K	
C104	QEKJ0JM-476Z	E CAPACITOR	47uF 6.3V M	
C105	QFV61HJ-103Z	MF CAPACITOR	0.01uF 50V J	
C201	QDGB1HK-821Y	C CAPACITOR	820pF 50V K	
C202	QERF1HM-474Z	E CAPACITOR	0.47uF 50V M	
C203	QCBB1HK-101Y	C CAPACITOR	100pF 50V K	
C204	QEKJ0JM-476Z	E CAPACITOR	47uF 6.3V M	
C205	QFV61HJ-103Z	MF CAPACITOR	0.01uF 50V J	
C901	QEKJ1AM-107Z	E CAPACITOR	100uF 10V M	
R101	QRE141J-153Y	C RESISTOR	15kΩ 1/4W J	
R103	QRE141J-101Y	C RESISTOR	100Ω 1/4W J	
R104	QRE141J-334Y	C RESISTOR	330kΩ 1/4W J	
R201	QRE141J-153Y	C RESISTOR	15kΩ 1/4W J	
R203	QRE141J-101Y	C RESISTOR	100Ω 1/4W J	
R204	QRE141J-334Y	C RESISTOR	330kΩ 1/4W J	
R901	QRE141J-101Y	C RESISTOR	100Ω 1/4W J	
CJ901	QGA2002C1-05	CONNECTOR	W-B (1-5)	
CP721	QGB1214K1-06S	CONNECTOR	B-B (1-6)	
CP722	QGA2002F1-06	CONNECTOR	W-B (1-6)	
CP901	QGB1214K1-06S	CONNECTOR	B-B (1-6)	

D1	1SS355-X	SI DIODE		
D2	1SS355-X	SI DIODE		
D6	UDZS9.1B-X	Z DIODE		
D30	1SS355-X	SI DIODE		
D744	NRS181J-0R0X	MG RESISTOR	0Ω 1/8W J	
D751	UDZS6.2B-X	Z DIODE		
D752	UDZS6.2B-X	Z DIODE		
D753	UDZS6.2B-X	Z DIODE		
D754	UDZS6.2B-X	Z DIODE		
D755	UDZS6.2B-X	Z DIODE		
D756	UDZS6.2B-X	Z DIODE		
D757	UDZS6.2B-X	Z DIODE		
D776	1SS355-X	SI DIODE		
D931	1SS355-X	SI DIODE		
D932	1SS355-X	SI DIODE		
D961	1N5401-F64	DIODE		
D963	1SS355-X	SI DIODE		
D964	1SS355-X	SI DIODE		
D965	RB160M-30-X	SB DIODE		
D966	RB160M-30-X	SB DIODE		
D977	1SS355-X	SI DIODE		
D978	UDZS11B-X	Z DIODE		
D982	1SS355-X	SI DIODE		
D984	1SS355-X	SI DIODE		
C1	QEKJ1HM-104Z	E CAPACITOR	0.1uF 50V M	
C2	NCB31EK-104X	C CAPACITOR	0.1uF 25V K	
C3	QERF1AM-227Z	E CAPACITOR	220uF 10V M	
C4	QERF1AM-227Z	E CAPACITOR	220uF 10V M	
C6	NCB31EK-563X	C CAPACITOR	0.056uF 25V K	
C7	NCB31EK-123X	C CAPACITOR	0.012uF 25V K	
C8	QERF1AM-107Z	E CAPACITOR	100uF 10V M	
C9	QERF1AM-227Z	E CAPACITOR	220uF 10V M	
C17	NCS31HJ-151X	C CAPACITOR	150pF 50V J	
C18	QERF1HM-474Z	E CAPACITOR	0.47uF 50V M	
C20	NCS31HJ-102X	C CAPACITOR	1000pF 50V J	
C21	QERF1HM-225Z	E CAPACITOR	2.2uF 50V M	
C24	NCB31EK-473X	C CAPACITOR	0.047uF 25V K	
C31	NCB31HK-103X	C CAPACITOR	0.01uF 50V K	
C112	QERF1HM-105Z	E CAPACITOR	1uF 50V M	
C113	NCB31HK-822X	C CAPACITOR	8200pF 50V K	
C114	NCB21CK-104X	C CAPACITOR	0.1uF 16V K	
C115	QERF1HM-224Z	E CAPACITOR	0.22uF 50V M	
C116	NCB31EK-333X	C CAPACITOR	0.033uF 25V K	
C117	NCB31EK-123X	C CAPACITOR	0.012uF 25V K	

△ Symbol No.	Part No.	Part Name	Description	Local	△ Symbol No.	Part No.	Part Name	Description	Local
C118	QERF1HM-105Z	E CAPACITOR	1uF 50V M		R29	NRS181J-152X	MG RESISTOR	1.5kΩ 1/8W J	
C119	QERF1HM-105Z	E CAPACITOR	1uF 50V M		R32	NRSA63J-101X	MG RESISTOR	100Ω 1/16W J	
C143	NCS31HJ-391X	C CAPACITOR	390pF 50V J		R35	NRSA63J-822X	MG RESISTOR	8.2kΩ 1/16W J	
C144	NCS31HJ-391X	C CAPACITOR	390pF 50V J		R36	NRSA63J-223X	MG RESISTOR	22kΩ 1/16W J	
C153	QERF1HM-105Z	E CAPACITOR	1uF 50V M		R37	NRSA63J-104X	MG RESISTOR	100kΩ 1/16W J	
C154	NCB31HK-183X	C CAPACITOR	0.018uF 50V K		R112	NRSA63J-223X	MG RESISTOR	22kΩ 1/16W J	
C212	QERF1HM-105Z	E CAPACITOR	1uF 50V M		R113	NRSA63J-272X	MG RESISTOR	2.7kΩ 1/16W J	
C213	NCB31HK-822X	C CAPACITOR	8200pF 50V K		R114	NRSA63J-272X	MG RESISTOR	2.7kΩ 1/16W J	
C214	NCB21CK-104X	C CAPACITOR	0.1uF 16V K		R132	NRSA63J-222X	MG RESISTOR	2.2kΩ 1/16W J	
C215	QERF1HM-224Z	E CAPACITOR	0.22uF 50V M		R135	NRSA63J-101X	MG RESISTOR	100Ω 1/16W J	
C216	NCB31EK-333X	C CAPACITOR	0.033uF 25V K		R136	NRSA63J-102X	MG RESISTOR	1kΩ 1/16W J	
C217	NCB31EK-123X	C CAPACITOR	0.012uF 25V K		R141	NRSA63J-273X	MG RESISTOR	27kΩ 1/16W J	
C218	QERF1HM-105Z	E CAPACITOR	1uF 50V M		R142	NRSA63J-273X	MG RESISTOR	27kΩ 1/16W J	
C219	QERF1HM-105Z	E CAPACITOR	1uF 50V M		R143	NRSA63J-473X	MG RESISTOR	47kΩ 1/16W J	
C243	NCS31HJ-391X	C CAPACITOR	390pF 50V J		R144	NRSA63J-473X	MG RESISTOR	47kΩ 1/16W J	
C244	NCS31HJ-391X	C CAPACITOR	390pF 50V J		R151	NRSA63J-302X	MG RESISTOR	3kΩ 1/16W J	
C253	QERF1HM-105Z	E CAPACITOR	1uF 50V M		R152	NRSA63J-103X	MG RESISTOR	10kΩ 1/16W J	
C254	NCB31HK-183X	C CAPACITOR	0.018uF 50V K		R212	NRSA63J-223X	MG RESISTOR	22kΩ 1/16W J	
C701	NDC31HJ-270X	C CAPACITOR	27pF 50V J		R213	NRSA63J-272X	MG RESISTOR	2.7kΩ 1/16W J	
C702	NDC31HJ-270X	C CAPACITOR	27pF 50V J		R214	NRSA63J-272X	MG RESISTOR	2.7kΩ 1/16W J	
C703	NCB31EK-104X	C CAPACITOR	0.1uF 25V K		R232	NRSA63J-222X	MG RESISTOR	2.2kΩ 1/16W J	
C704	NCB31EK-104X	C CAPACITOR	0.1uF 25V K		R235	NRSA63J-101X	MG RESISTOR	100Ω 1/16W J	
C705	NCB31HK-102X	C CAPACITOR	1000pF 50V K		R236	NRSA63J-102X	MG RESISTOR	1kΩ 1/16W J	
C707	NCB31EK-104X	C CAPACITOR	0.1uF 25V K		R241	NRSA63J-273X	MG RESISTOR	27kΩ 1/16W J	
C708	QERF1AM-227Z	E CAPACITOR	220uF 10V M		R242	NRSA63J-273X	MG RESISTOR	27kΩ 1/16W J	
C709	QERF0JM-107Z	E CAPACITOR	100uF 6.3V M		R243	NRSA63J-473X	MG RESISTOR	47kΩ 1/16W J	
C710	NCB31EK-104X	C CAPACITOR	0.1uF 25V K		R244	NRSA63J-473X	MG RESISTOR	47kΩ 1/16W J	
C711	NCB21CK-224X	C CAPACITOR	0.22uF 16V K		R251	NRSA63J-302X	MG RESISTOR	3kΩ 1/16W J	
C712	NCB21HK-104X	C CAPACITOR	0.1uF 50V K		R252	NRSA63J-103X	MG RESISTOR	10kΩ 1/16W J	
C713	NRSA02J-0R0X	MG RESISTOR	0Ω 1/10W J		R701	NRS181J-271X	MG RESISTOR	270Ω 1/8W J	
C902	QFV11HJ-334AZ	MF CAPACITOR	3.34F 50V J		R702	NRSA63J-0R0X	MG RESISTOR	0Ω 1/16W J	
C903	QFV61HJ-104Z	MF CAPACITOR	0.1uF 50V J		R703	NRS181J-0R0X	MG RESISTOR	0Ω 1/8W J	
C911	QERF1CM-476Z	E CAPACITOR	47uF 16V M		R704	NRSA63J-0R0X	MG RESISTOR	0Ω 1/16W J	
C912	QERF1CM-107Z	E CAPACITOR	100uF 16V M		R705	NRSA63J-103X	MG RESISTOR	10kΩ 1/16W J	
C913	QERF1CM-107Z	E CAPACITOR	100uF 16V M		R707	NRSA63J-473X	MG RESISTOR	47kΩ 1/16W J	
C932	NCB31EK-104X	C CAPACITOR	0.1uF 25V K		R708	NRSA63J-104X	MG RESISTOR	100kΩ 1/16W J	
C941	NCB31EK-104X	C CAPACITOR	0.1uF 25V K		R709	NRSA63J-104X	MG RESISTOR	100kΩ 1/16W J	
C942	NCB31EK-104X	C CAPACITOR	0.1uF 25V K		R710	NRSA63J-473X	MG RESISTOR	47kΩ 1/16W J	
C943	NCB31EK-104X	C CAPACITOR	0.1uF 25V K		R711	NRSA63J-391X	MG RESISTOR	390Ω 1/16W J	
C945	QEKJ1EM-475Z	E CAPACITOR	4.7uF 25V M		R712	NRS181J-0R0X	MG RESISTOR	0Ω 1/8W J	
C946	QERF1CM-226Z	E CAPACITOR	22uF 16V M		R713	NRSA63J-103X	MG RESISTOR	10kΩ 1/16W J	
C947	QFVD1HJ-224Z	MF CAPACITOR	0.22uF 50V J		R715	NRSA63D-103X	MG RESISTOR	10kΩ 1/16W D	
C948	QFVD1HJ-224Z	MF CAPACITOR	0.22uF 50V J		R716	NRSA63D-103X	MG RESISTOR	10kΩ 1/16W D	
C949	QFVD1HJ-224Z	MF CAPACITOR	0.22uF 50V J		R717	NRSA63D-103X	MG RESISTOR	10kΩ 1/16W D	
C950	QFVD1HJ-224Z	MF CAPACITOR	0.22uF 50V J		R718	NRSA63D-472X	MG RESISTOR	4.7kΩ 1/16W D	
C951	NCB31EK-104X	C CAPACITOR	0.1uF 25V K		R719	NRSA63D-472X	MG RESISTOR	4.7kΩ 1/16W D	
C952	NCB31EK-104X	C CAPACITOR	0.1uF 25V K		R720	NRSA63D-472X	MG RESISTOR	4.7kΩ 1/16W D	
C953	NCB31EK-104X	C CAPACITOR	0.1uF 25V K		R724	NRSA63J-472X	MG RESISTOR	4.7kΩ 1/16W J	
C954	NCB31EK-104X	C CAPACITOR	0.1uF 25V K		R725	NRSA63J-472X	MG RESISTOR	4.7kΩ 1/16W J	
C961	QEZ0645-228	E CAPACITOR	2200uF		R726	NRSA63J-472X	MG RESISTOR	4.7kΩ 1/16W J	
C962	QERF1CM-106Z	E CAPACITOR	10uF 16V M		R728	NRSA63J-103X	MG RESISTOR	10kΩ 1/16W J	
C963	QERF1CM-106Z	E CAPACITOR	10uF 16V M		R729	NRSA63J-472X	MG RESISTOR	4.7kΩ 1/16W J	
C964	QERF1AM-227Z	E CAPACITOR	220uF 10V M		R730	NRSA63J-472X	MG RESISTOR	4.7kΩ 1/16W J	
C965	QERF1AM-227Z	E CAPACITOR	220uF 10V M		R731	NRSA63J-472X	MG RESISTOR	4.7kΩ 1/16W J	
C966	QERF1CM-106Z	E CAPACITOR	10uF 16V M		R732	NRSA63J-473X	MG RESISTOR	47kΩ 1/16W J	
C967	QERF1CM-106Z	E CAPACITOR	10uF 16V M		R733	NRS181J-473X	MG RESISTOR	47kΩ 1/8W J	
C968	QERF1CM-106Z	E CAPACITOR	10uF 16V M		R734	NRS181J-103X	MG RESISTOR	10kΩ 1/8W J	
C969	NCB31EK-473X	C CAPACITOR	0.047uF 25V K		R736	NRSA63J-103X	MG RESISTOR	10kΩ 1/16W J	
C970	NCB31EK-473X	C CAPACITOR	0.047uF 25V K		R737	NRSA63J-473X	MG RESISTOR	47kΩ 1/16W J	
C971	NCB31EK-104X	C CAPACITOR	0.1uF 25V K		R738	NRSA63J-473X	MG RESISTOR	47kΩ 1/16W J	
C977	QERF1AM-227Z	E CAPACITOR	220uF 10V M		R740	NRSA63J-473X	MG RESISTOR	47kΩ 1/16W J	
C978	QEKJ1EM-475Z	E CAPACITOR	4.7uF 25V M		R743	NRSA63J-473X	MG RESISTOR	47kΩ 1/16W J	
C979	QERF1CM-476Z	E CAPACITOR	47uF 16V M		R744	NRSA63J-473X	MG RESISTOR	47kΩ 1/16W J	
C981	QERF1CM-107Z	E CAPACITOR	100uF 16V M		R746	NRSA63J-473X	MG RESISTOR	47kΩ 1/16W J	
C982	QERF1CM-106Z	E CAPACITOR	10uF 16V M		R747	NRSA63J-473X	MG RESISTOR	47kΩ 1/16W J	
C984	QERF1AM-227Z	E CAPACITOR	220uF 10V M		R748	NRSA63J-103X	MG RESISTOR	10kΩ 1/16W J	
R1	NRSA63J-150X	MG RESISTOR	15Ω 1/16W J		R750	NRSA63J-473X	MG RESISTOR	47kΩ 1/16W J	
R2	NRSA63J-150X	MG RESISTOR	15Ω 1/16W J		R776	NRSA63J-473X	MG RESISTOR	47kΩ 1/16W J	
R6	NRSA63J-100X	MG RESISTOR	10Ω 1/16W J		R778	NRSA63J-473X	MG RESISTOR	47kΩ 1/16W J	
R9	NRSA63J-102X	MG RESISTOR	1kΩ 1/16W J		R779	NRSA63J-473X	MG RESISTOR	47kΩ 1/16W J	
R10	NRSA63J-392X	MG RESISTOR	3.9kΩ 1/16W J		R911	NRSA63J-271X	MG RESISTOR	270Ω 1/16W J	
R12	NRSA63J-102X	MG RESISTOR	1kΩ 1/16W J		R912	NRSA63J-271X	MG RESISTOR	270Ω 1/16W J	
R14	NRSA63J-471X	MG RESISTOR	470Ω 1/16W J		R913	NRSA63J-100X	MG RESISTOR	10Ω 1/16W J	
R24	NRSA63J-102X	MG RESISTOR	1kΩ 1/16W J		R941	NRSA63J-473X	MG RESISTOR	47kΩ 1/16W J	
R25	NRSA63J-102X	MG RESISTOR	1kΩ 1/16W J		R959	NRSA63J-222X	MG RESISTOR	2.2kΩ 1/16W J	
R26	NRSA63J-103X	MG RESISTOR	10kΩ 1/16W J		R960	NRSA63J-273X	MG RESISTOR	27kΩ 1/16W J	
R27	NRSA63J-102X	MG RESISTOR	1kΩ 1/16W J		R961	QRE141J-470Y	C RESISTOR	47Ω 1/4W J	
					R962	NRSA63J-682X	MG RESISTOR	6.8kΩ 1/16W J	

△ Symbol No.	Part No.	Part Name	Description	Local
R963	NRSA63J-123X	MG RESISTOR	12kΩ 1/16W J	
R966	NRSA63J-473X	MG RESISTOR	47kΩ 1/16W J	
R967	NRSA63J-222X	MG RESISTOR	2.2kΩ 1/16W J	
R969	NRS181J-222X	MG RESISTOR	2.2kΩ 1/8W J	
R970	NRSA63J-473X	MG RESISTOR	47kΩ 1/16W J	
R971	NRS181J-222X	MG RESISTOR	2.2kΩ 1/8W J	
R972	NRS181J-222X	MG RESISTOR	2.2kΩ 1/8W J	
R974	NRSA63J-123X	MG RESISTOR	12kΩ 1/16W J	
R975	NRSA63J-243X	MG RESISTOR	24kΩ 1/16W J	
R977	NRSA63J-181X	MG RESISTOR	180Ω 1/16W J	
R979	NRSA63J-473X	MG RESISTOR	47kΩ 1/16W J	
L1	QQL231K-4R7Y	INDUCTOR I/M	4.7uH K	
L701	QQL231K-470Y	INDUCTOR I/M	47uH K	
L702	QQL231K-470Y	INDUCTOR I/M	47uH K	
L961	QQR1366-001	CHOKO COIL		
CJ701	VMC0334-001	CONNECTOR		
CN901	QGB1214J1-06S	CONNECTOR	B-B (1-6)	
CN902	QGB1214J1-06S	CONNECTOR	B-B (1-6)	
CP981	QNZ0611-001	16P CONNECTOR		
J1	QNB0100-002	CAR ANT JACK		
J931	QNN0519-001	PIN JACK		
TU1	QAU0281-001	TUNER PACK		
X701	QAX0406-001Z	CRYSTAL	4.500MHz	

△ Symbol No.	Part No.	Part Name	Description	Local
R636	NRSA02J-122X	MG RESISTOR	1.2kΩ 1/10W J	
R637	NRSA02J-122X	MG RESISTOR	1.2kΩ 1/10W J	
R638	NRSA02J-821X	MG RESISTOR	820Ω 1/10W J	
R639	NRSA02J-821X	MG RESISTOR	820Ω 1/10W J	
R640	NRSA02J-431X	MG RESISTOR	430Ω 1/10W J	
R642	NRSA02J-271X	MG RESISTOR	270Ω 1/10W J	
R644	NRSA02J-271X	MG RESISTOR	270Ω 1/10W J	
R646	NRSA02J-821X	MG RESISTOR	820Ω 1/10W J	
R647	NRSA02J-821X	MG RESISTOR	820Ω 1/10W J	
R648	NRSA02J-431X	MG RESISTOR	430Ω 1/10W J	
R650	NRSA02J-431X	MG RESISTOR	430Ω 1/10W J	
R652	NRSA02J-122X	MG RESISTOR	1.2kΩ 1/10W J	
R653	NRSA02J-122X	MG RESISTOR	1.2kΩ 1/10W J	
R654	NRSA02J-152X	MG RESISTOR	1.5kΩ 1/10W J	
R655	NRSA02J-473X	MG RESISTOR	47kΩ 1/10W J	
R657	NRSA02J-184X	MG RESISTOR	180kΩ 1/10W J	
R661	NRSA63J-103X	MG RESISTOR	10kΩ 1/16W J	
R662	NRSA63J-103X	MG RESISTOR	10kΩ 1/16W J	
R663	NRSA63J-103X	MG RESISTOR	10kΩ 1/16W J	

△ Symbol No.	Part No.	Part Name	Description	Local
CP701	VMC0335-001	PANEL CONNECTOR		
S601	NSW0124-001X	TACT SW		
S602	NSW0124-001X	TACT SW		
S603	NSW0124-001X	TACT SW		
S604	NSW0124-001X	TACT SW		
S605	NSW0124-001X	TACT SW		
S606	NSW0124-001X	TACT SW		
S607	NSW0124-001X	TACT SW		
S608	NSW0124-001X	TACT SW		
S609	NSW0124-001X	TACT SW		
S610	NSW0124-001X	TACT SW		
S611	NSW0124-001X	TACT SW		
S612	NSW0124-001X	TACT SW		
S613	NSW0124-001X	TACT SW		
S614	NSW0124-001X	TACT SW		
S615	NSW0124-001X	TACT SW		
S616	NSW0124-001X	TACT SW		
S617	NSW0124-001X	TACT SW		
S618	NSW0124-001X	TACT SW		

Switch board (F185_UH3,UN3,U3)

Block No. [0][5]

△ Symbol No.	Part No.	Part Name	Description	Local
IC651	PT6523LQ-L	LCD DRIVER		
D601	SML-310LT/MN-/X	LED		
D602	LNJ308G81/1-3/X	LED		
D603	LNJ308G81/1-3/X	LED		
D604	LNJ308G81/1-3/X	LED		
D605	LNJ308G81/1-3/X	LED		
D606	LNJ308G81/1-3/X	LED		
D607	LNJ308G81/1-3/X	LED		
D608	LNJ308G81/1-3/X	LED		
D609	LNJ308G81/1-3/X	LED		
D610	LNJ308G81/1-3/X	LED		
D611	LNJ308G81/1-3/X	LED		
D612	LNJ308G81/1-3/X	LED		
D613	LNJ308G81/1-3/X	LED		
D614	LNJ308G81/1-3/X	LED		
D615	LNJ308G81/1-3/X	LED		
D616	LNJ308G81/1-3/X	LED		
D617	LNJ308G81/1-3/X	LED		
D618	LNJ308G81/1-3/X	LED		
D619	LNJ308G81/1-3/X	LED		
D654	UDZS5.1B-X	Z DIODE		
C651	NCB31CK-105X	C CAPACITOR	1uF 16V K	
C652	NBE20JM-475X	TA E CAPACITOR	4.7uF 6.3V M	
C653	NCB31HK-681X	C CAPACITOR	680pF 50V K	
R601	NRSA63J-681X	MG RESISTOR	680Ω 1/16W J	
R602	NRSA63J-561X	MG RESISTOR	560Ω 1/16W J	
R603	NRSA63J-681X	MG RESISTOR	680Ω 1/16W J	
R604	NRSA63J-911X	MG RESISTOR	910Ω 1/16W J	
R605	NRSA63J-681X	MG RESISTOR	680Ω 1/16W J	
R606	NRSA63J-561X	MG RESISTOR	560Ω 1/16W J	
R607	NRSA63J-681X	MG RESISTOR	680Ω 1/16W J	
R608	NRSA63J-911X	MG RESISTOR	910Ω 1/16W J	
R609	NRSA63J-122X	MG RESISTOR	1.2kΩ 1/16W J	
R610	NRSA63J-152X	MG RESISTOR	1.5kΩ 1/16W J	
R611	NRSA63J-222X	MG RESISTOR	2.2kΩ 1/16W J	
R612	NRSA63J-681X	MG RESISTOR	680Ω 1/16W J	
R613	NRSA63J-561X	MG RESISTOR	560Ω 1/16W J	
R614	NRSA63J-681X	MG RESISTOR	680Ω 1/16W J	
R615	NRSA63J-911X	MG RESISTOR	910Ω 1/16W J	
R635	NRS181J-221X	MG RESISTOR	220Ω 1/8W J	

Mechanism control board (F185_UH3,UN3,U3)

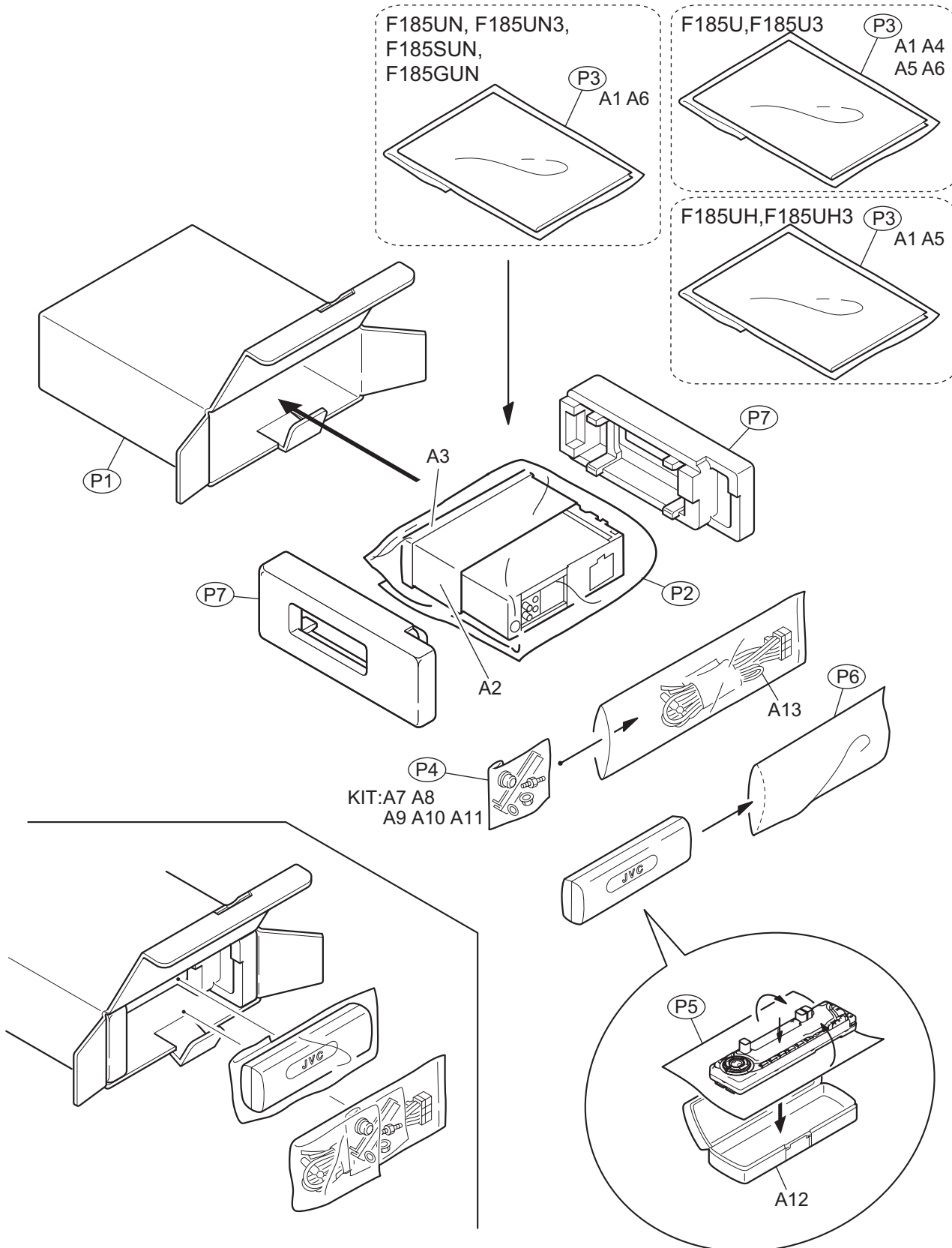
Block No. [0][6]

△ Symbol No.	Part No.	Part Name	Description	Local
IC901	UPC1228HA	IC		
C101	QDGB1HK-821Y	C CAPACITOR	820pF 50V K	
C102	QEKJ1HM-474Z	E CAPACITOR	0.47uF 50V M	
C103	QCBB1HK-101Y	C CAPACITOR	100pF 50V K	
C104	QEKJ0JM-476Z	E CAPACITOR	47uF 6.3V M	
C105	QFV61HJ-103Z	MF CAPACITOR	0.01uF 50V J	
C201	QDGB1HK-821Y	C CAPACITOR	820pF 50V K	
C202	QERF1HM-474Z	E CAPACITOR	0.47uF 50V M	
C203	QCBB1HK-101Y	C CAPACITOR	100pF 50V K	
C204	QEKJ0JM-476Z	E CAPACITOR	47uF 6.3V M	
C205	QFV61HJ-103Z	MF CAPACITOR	0.01uF 50V J	
C901	QEKJ1AM-107Z	E CAPACITOR	100uF 10V M	
R101	QRE141J-153Y	C RESISTOR	15kΩ 1/4W J	
R103	QRE141J-101Y	C RESISTOR	100Ω 1/4W J	
R104	QRE141J-334Y	C RESISTOR	330kΩ 1/4W J	
R201	QRE141J-153Y	C RESISTOR	15kΩ 1/4W J	
R203	QRE141J-101Y	C RESISTOR	100Ω 1/4W J	
R204	QRE141J-334Y	C RESISTOR	330kΩ 1/4W J	
R901	QRE141J-101Y	C RESISTOR	100Ω 1/4W J	
CJ901	QGA2002C1-05	CONNECTOR	W-B (1-5)	
CP721	QGB1214K1-06S	CONNECTOR	B-B (1-6)	
CP722	QGA2002F1-06	CONNECTOR	W-B (1-6)	
CP901	QGB1214K1-06S	CONNECTOR	B-B (1-6)	

<MEMO>

Packing materials and accessories parts list

Block No. M 3 M M



Packing and Accessories

Block No. [M][3][M][M]

△ Symbol No.	Part No.	Part Name	Description	Local
A 1	GET0225-001A	INST BOOK		F185U,F185U3,F185UH,F185UH3
A 1	GET0225-003A	INST BOOK		F185GUN,F185SUN,F185UN,F185UN3
A 2	GE20137-003A	MOUNTING SLEEVE		
A 3	GE20135-006A	TRIM PLATE		F185GUN
A 3	GE20135-003A	TRIM PLATE		F185SUN
A 3	GE20135-004A	TRIM PLATE		F185U,F185U3,F185UH,F185UH3,F185UN,F185UN3
A 4	GET0225-002A	INST BOOK	CHI(TAIWAN) ARA PER	F185U,F185U3
A 5	GET0225-004A	INSTALL MANUAL		F185UH3,F185U3
A 5	GET0225-004A	INSTALL MANUAL		F185UH,F185U
A 6	GET0225-005A	INSTALL MANUAL		F185U,F185U3
A 6	GET0225-006A	INSTALL MANUAL		F185GUN,F185SUN,F185UN,F185UN3
A 7	VKZ4027-202	PLUG NUT		
A 8	VKH4871-003	MOUNT BOLT		
A 9	VKZ4328-003	LOCK NUT		
A 10	QYWWS53A008ZA	WASHER	0mm/5.3mm x	
A 11	GE40130-002A	HOOK	(x2)	
A 12	FSJB3002-00C	HARD CASE		
A 13	QAM0013-007	16P CORD ASSY		
KIT	SRW-385U	SCREW PARTS KIT	A7 A8 A9 A10 A11	F185UH
P 1	GE31318-001A	CARTON		F185GUN
P 1	GE31315-001A	CARTON		F185SUN
P 1	GE31312-001A	CARTON		F185U,F185U3,F185UH,F185UH3,F185UN,F185UN3
P 2	QPC03004315P	POLY BAG	30cm x 43cm	
P 3	FSPG4002-001	POLY BAG		
P 4	QPA00801205	POLY BAG	8cm x 12cm	
P 5	FSYH4036-068	SHEET		
P 6	QPA01003003	POLY BAG	10cm x 30cm	
P 7	GE10070-003A	EPS CUSHION		

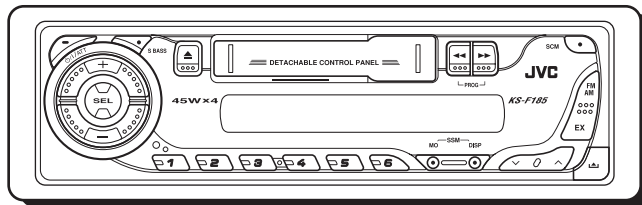
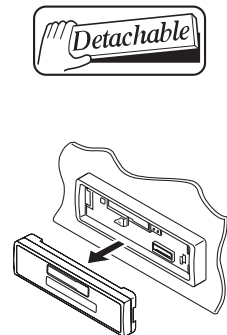
JVC

SCHEMATIC DIAGRAMS

CASSETTE RECEIVER

KS-F185,KS-F185S KS-F185G

CD-ROM No.SML200503



KS-F185
Area suffix
UH ----- Thailand
UN ----- Indonesia
U ----- Other Areas


KS-F185S
Area suffix
UN ----- Indonesia

KS-F185G
Area suffix
UN ----- Indonesia

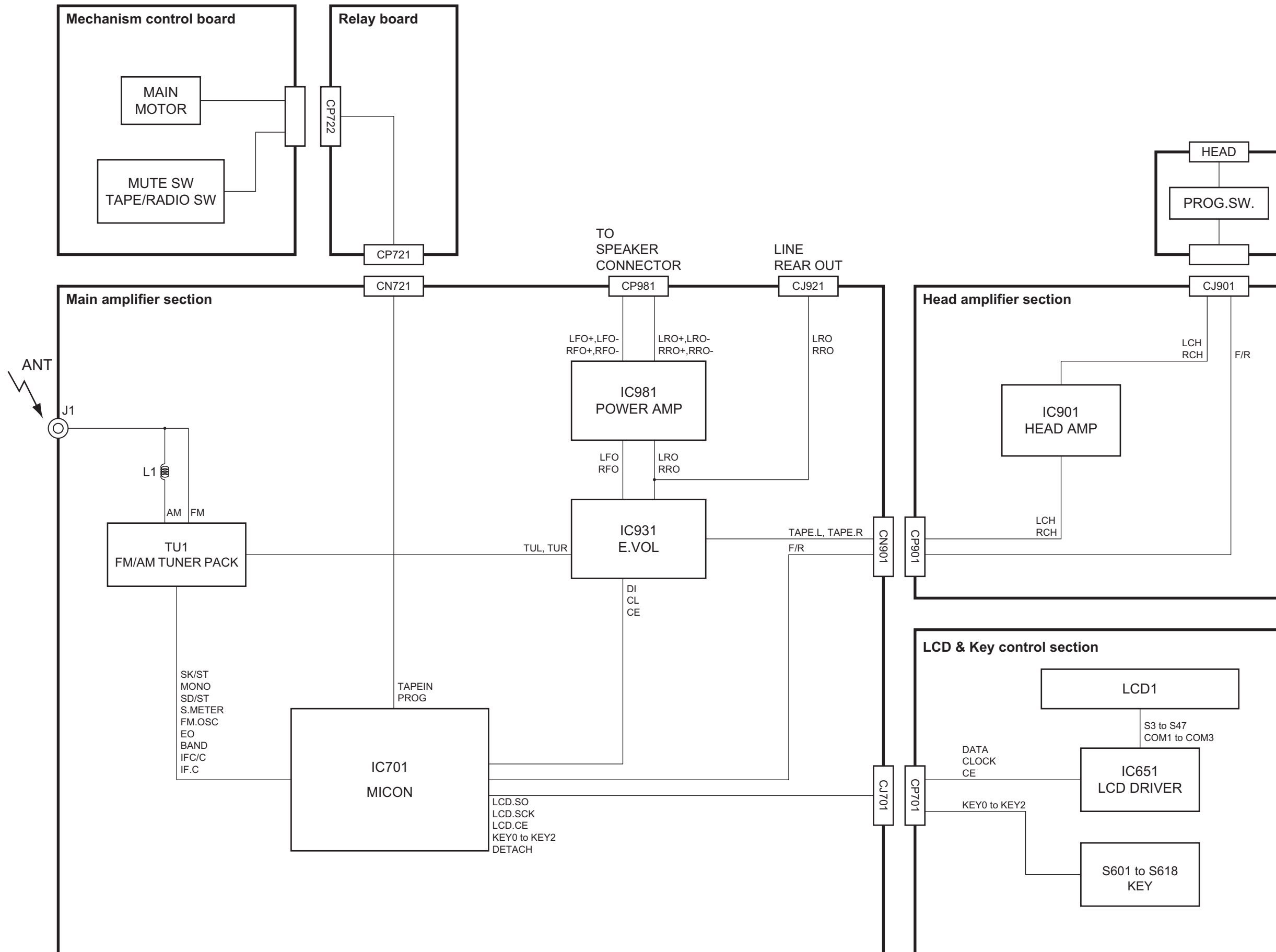
Contents

Block diagram (For UH,UN,U version)	2-1
Standard schematic diagrams (For UH,UN,U version)	2-2
Block diagram (For UH3,UN3,U3 version)	2-5
Standard schematic diagrams (For UH3,UN3,U3 version)	2-6
Printed circuit boards	2-9 to 11

Safety precaution

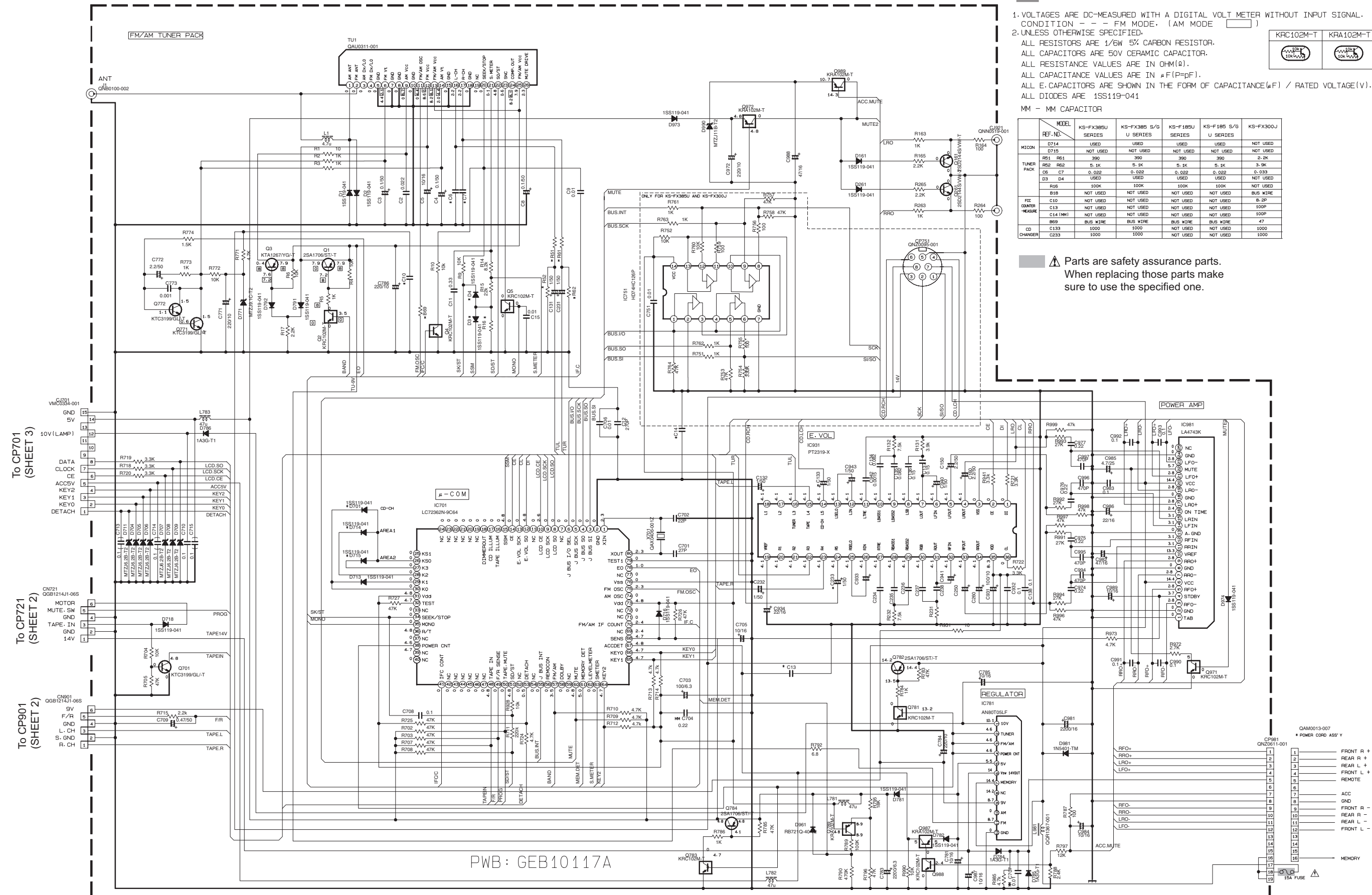
 **CAUTION** Burrs formed during molding may be left over on some parts of the chassis. Therefore, pay attention to such burrs in the case of performing repair of this system.

Block diagram (For UH, UN, U version)



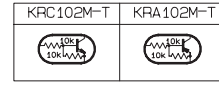
Standard schematic diagrams (For UH, UN, U version)

Main amplifier section



NOTES

- VOLTAGES ARE DC-MEASURED WITH A DIGITAL VOLT METER WITHOUT INPUT SIGNAL. CONDITION - - - FM MODE. (AM MODE)
 - UNLESS OTHERWISE SPECIFIED, ALL CAPACITORS ARE 50V CERAMIC CAPACITOR. ALL RESISTANCE VALUES ARE IN OHM(Ω). ALL CAPACITANCE VALUES ARE IN μF(P=pF). ALL E-CAPACITORS ARE SHOWN IN THE FORM OF CAPACITANCE(μF) / RATED VOLTAGE(V). ALL DIODES ARE 1SS119-041
- MM - MM CAPACITOR



MODEL	KS-FX385U	KS-FX385 S/G	KS-F185U	KS-F185 S/G	KS-FX300J
REF.NO.					
HICCN	D714	USED	USED	USED	NOT USED
	D715	NOT USED	NOT USED	NOT USED	NOT USED
TUNER PACK	R51 R61	390	390	390	2.2K
	R52 R62	5.1K	5.1K	5.1K	3.9K
	C6 C7	0.022	0.022	0.022	0.033
	D3 D4	USED	USED	USED	NOT USED
	R16	100K	100K	100K	NOT USED
	B18	NOT USED	NOT USED	NOT USED	BUS WIRE
FC	C10	NOT USED	NOT USED	NOT USED	8.2P
QUANTR	C13	NOT USED	NOT USED	NOT USED	100P
MEASURE	C14 (MM)	NOT USED	NOT USED	NOT USED	100P
	B69	BUS WIRE	BUS WIRE	BUS WIRE	47
CD	C133	1000	1000	NOT USED	1000
CHANGER	C233	1000	1000	NOT USED	1000

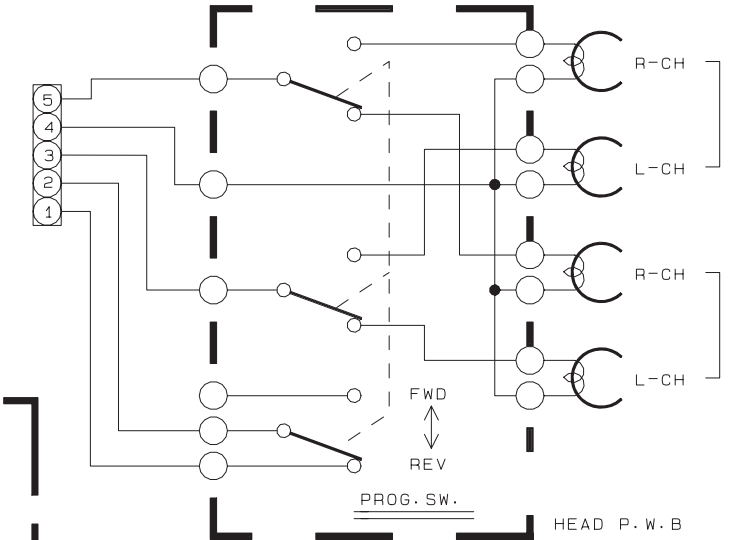
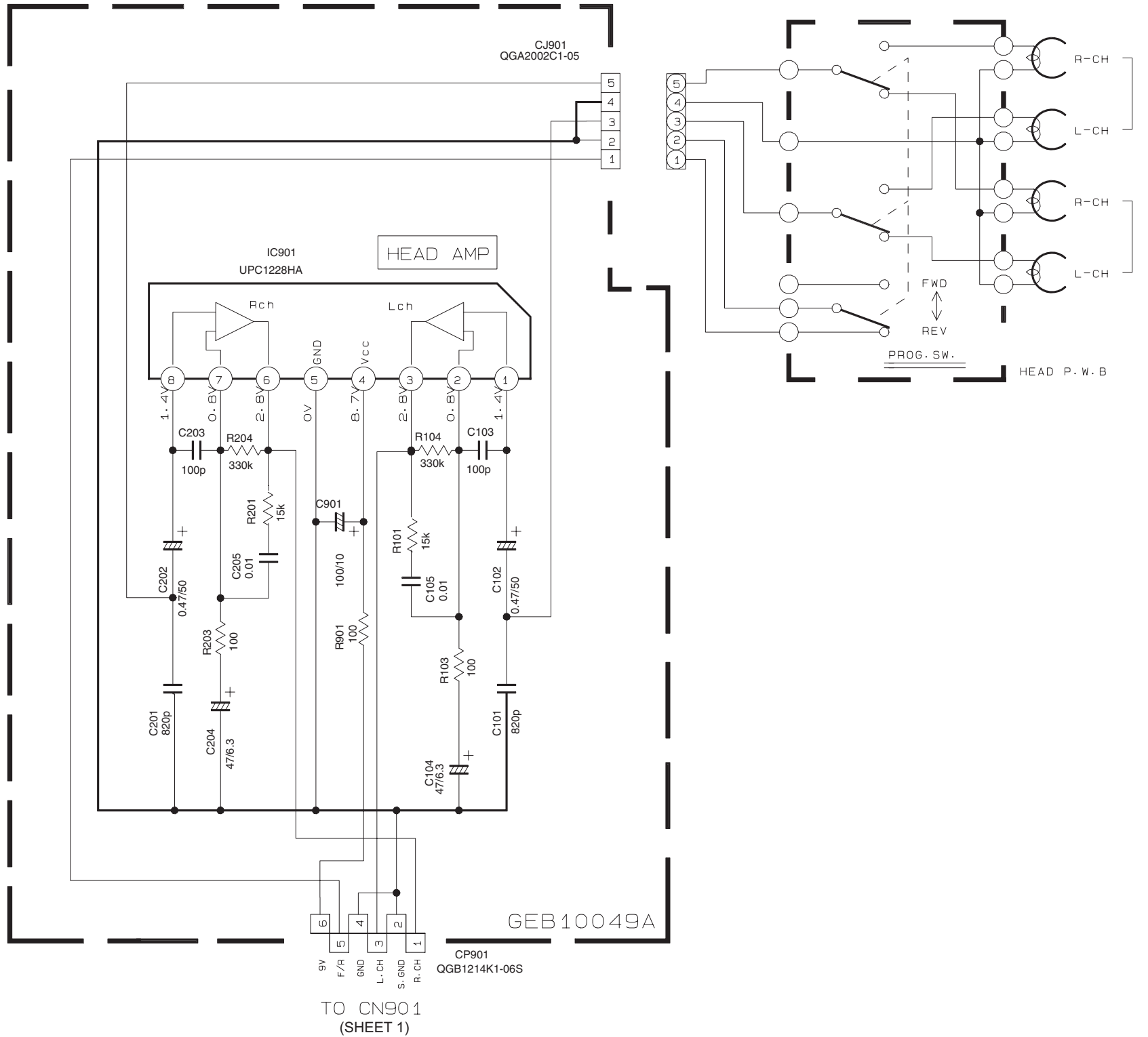
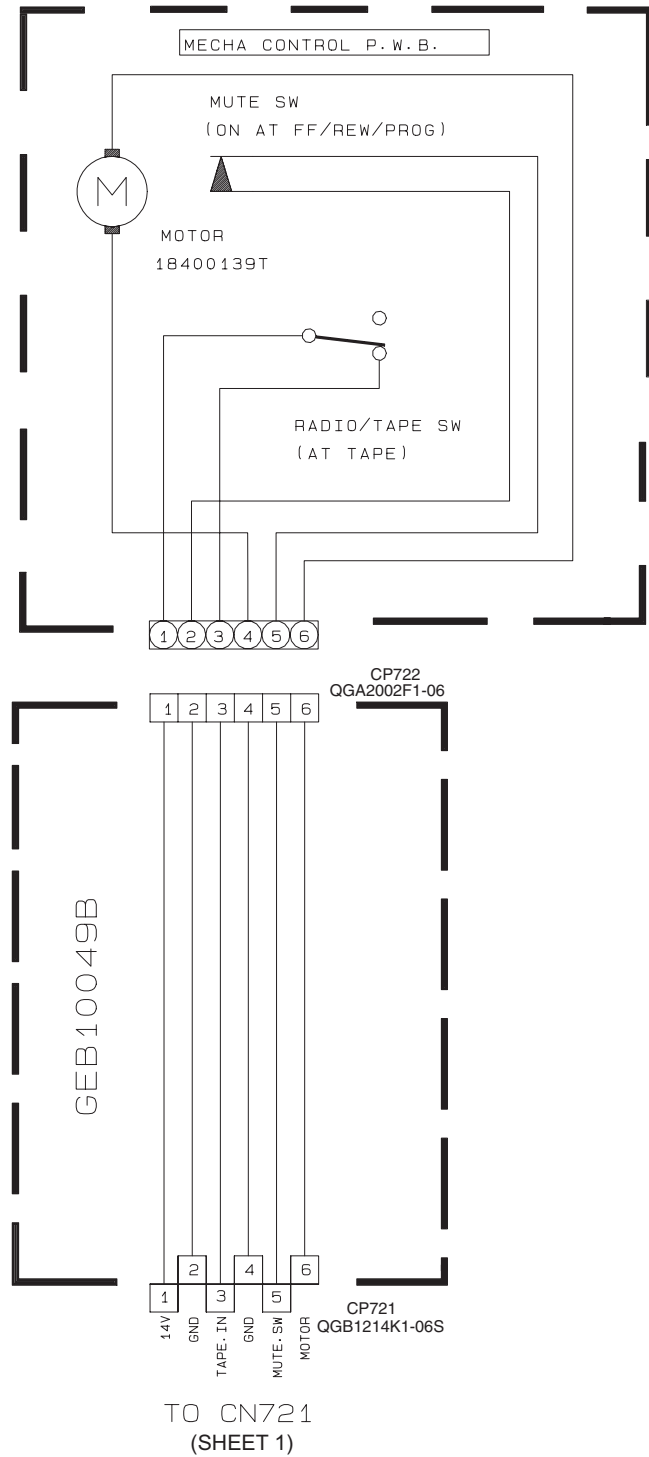
⚠ Parts are safety assurance parts. When replacing those parts make sure to use the specified one.

PWB: GEB10117A

■ Head amplifier section

NOTES

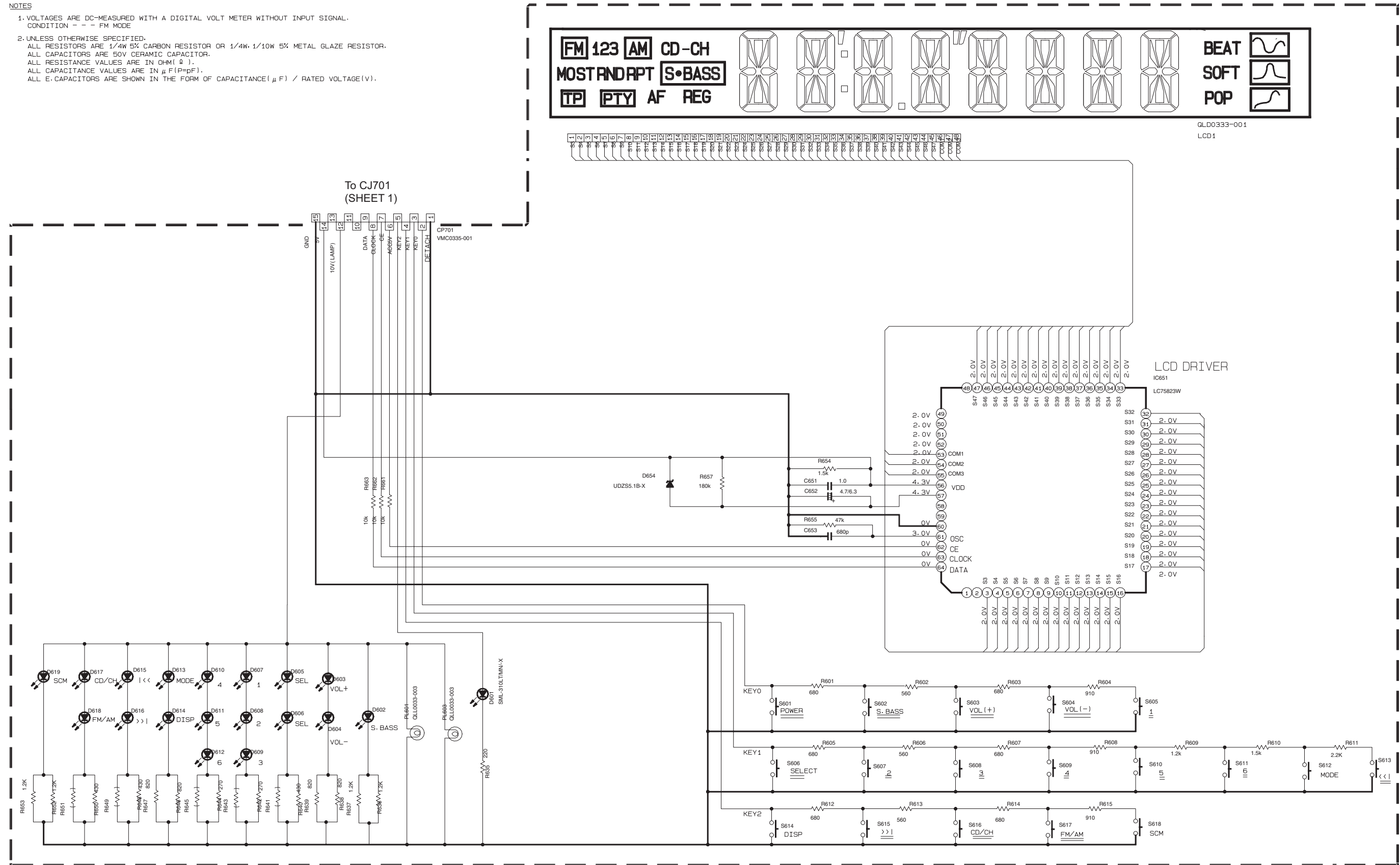
1. VOLTAGES ARE DC-MEASURED WITH A DIGITAL VOLT METER WITHOUT INPUT SIGNAL.
CONDITION---FM MODE
2. UNLESS OTHERWISE SPECIFIED.
ALL RESISTORS ARE 1/4W 5% CARBON RESISTOR OR 1/4W. 1/10W 5% METAL GLAZE RESISTOR.
ALL CAPACITORS ARE 50V CERAMIC CAPACITOR.
ALL RESISTANCE VALUES ARE IN OHM (Ω).
ALL CAPACITANCE VALUES ARE IN uF (pF).
ALL E. CAPACITORS ARE SHOW IN THE FORM OF CAPACITANCE (uF)/RATED VOLTAGE (V).



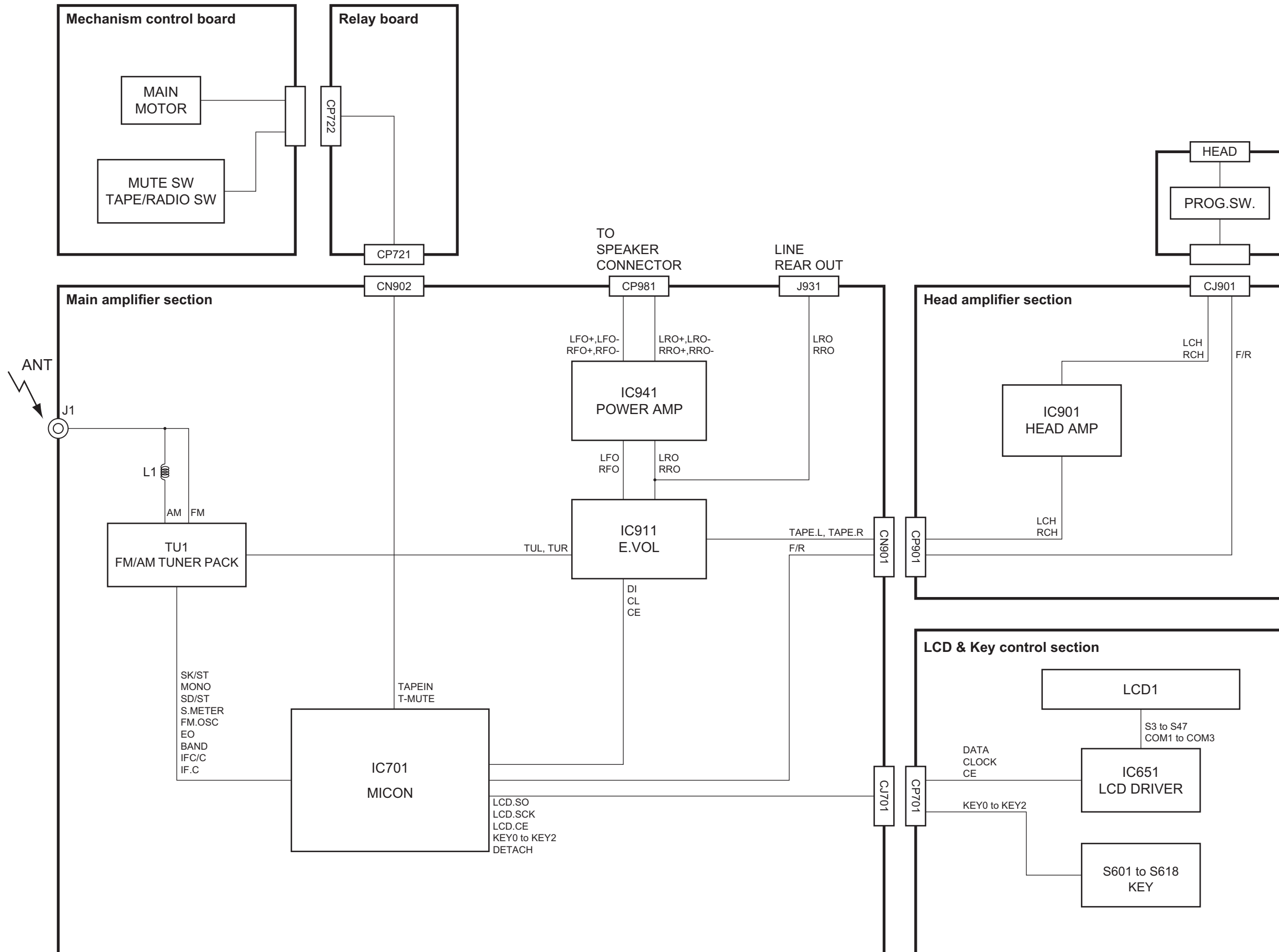
LCD & Key control section

NOTES

- VOLTAGES ARE DC-MEASURED WITH A DIGITAL VOLT METER WITHOUT INPUT SIGNAL.
CONDITION --- FM MODE
- UNLESS OTHERWISE SPECIFIED:
ALL RESISTORS ARE 1/4W 5% CARBON RESISTOR OR 1/4W, 1/10W 5% METAL GLAZE RESISTOR.
ALL CAPACITORS ARE 50V CERAMIC CAPACITOR.
ALL RESISTANCE VALUES ARE IN OHM(Ω).
ALL CAPACITANCE VALUES ARE IN μF(P=pF).
ALL E-CAPACITORS ARE SHOWN IN THE FORM OF CAPACITANCE(μF) / RATED VOLTAGE(V).

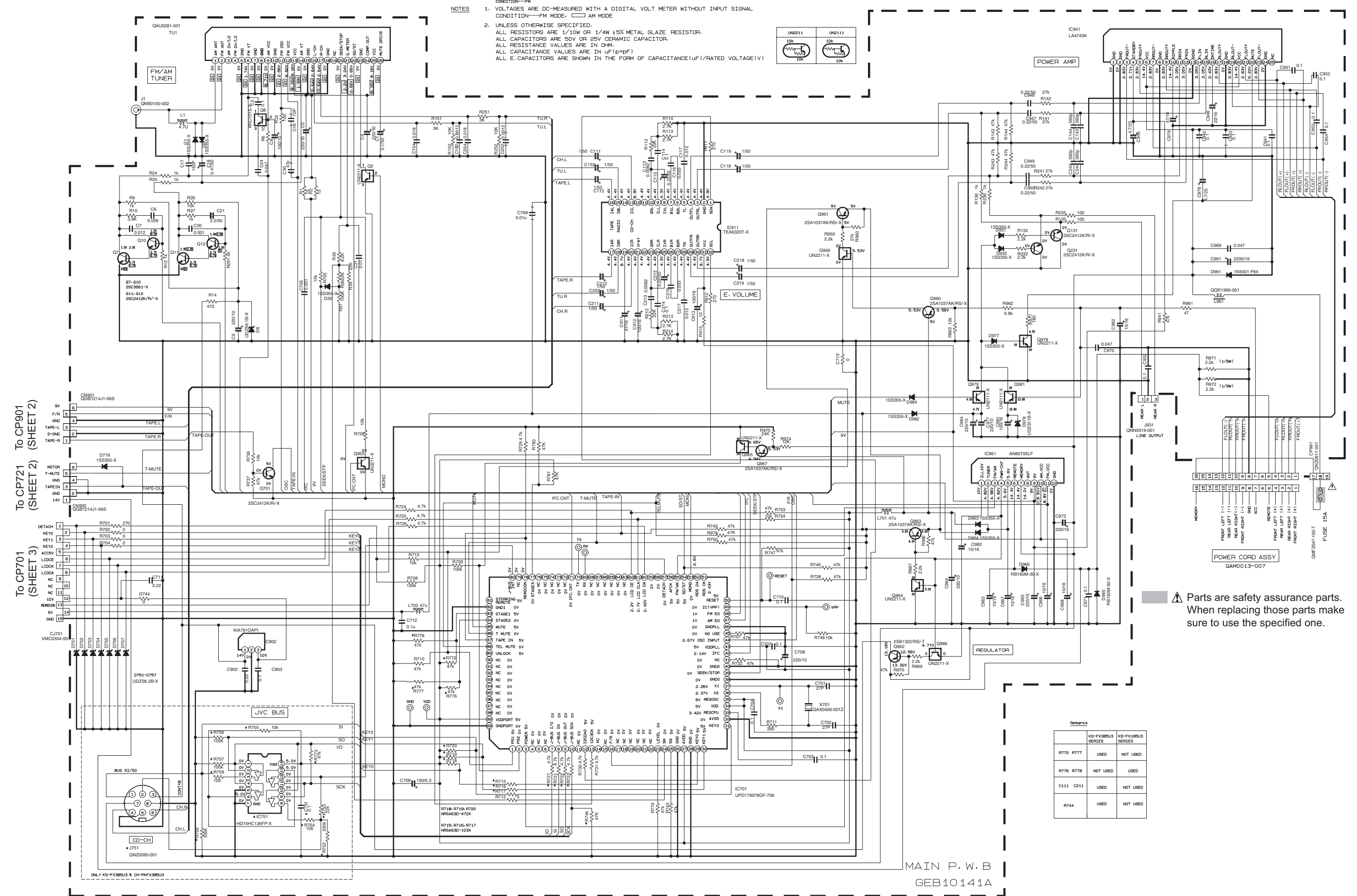


Block diagram (For UH3, UN3, U3 version)

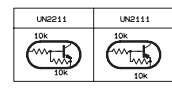


Standard schematic diagrams (For UH3, UN3, U3 version)

Main amplifier section



NOTES
 1. VOLTAGES ARE DC-MEASURED WITH A DIGITAL VOLT METER WITHOUT INPUT SIGNAL CONDITION—FM MODE.
 2. UNLESS OTHERWISE SPECIFIED, ALL RESISTORS ARE 1/10W OR 1/4W ±5% METAL GLAZE RESISTOR. ALL CAPACITORS ARE 50V OR 25V CERAMIC CAPACITOR. ALL RESISTANCE VALUES ARE IN OHM. ALL CAPACITANCE VALUES ARE IN μF (p=PF) ALL E-CAPACITORS ARE SHOWN IN THE FORM OF CAPACITANCE(μF)/RATED VOLTAGE(V)

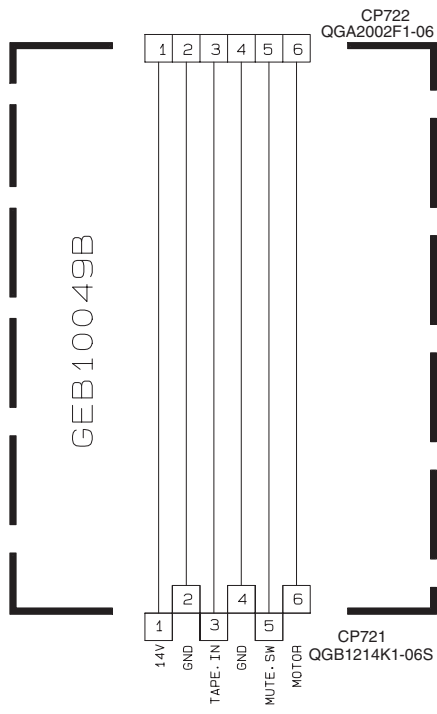
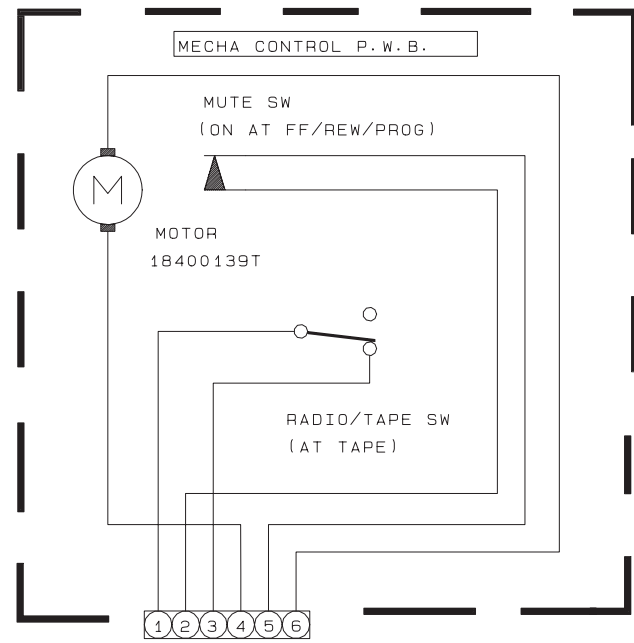


Parts are safety assurance parts. When replacing those parts make sure to use the specified one.

RESISTORS	KS-FX385U3 SERIES	HS-FX185U3 SERIES
R772 R777	USED	NOT USED
R776 R778	NOT USED	USED
C111 C211	USED	NOT USED
R744	USED	NOT USED

MAIN P. W. B
 GEB10141A

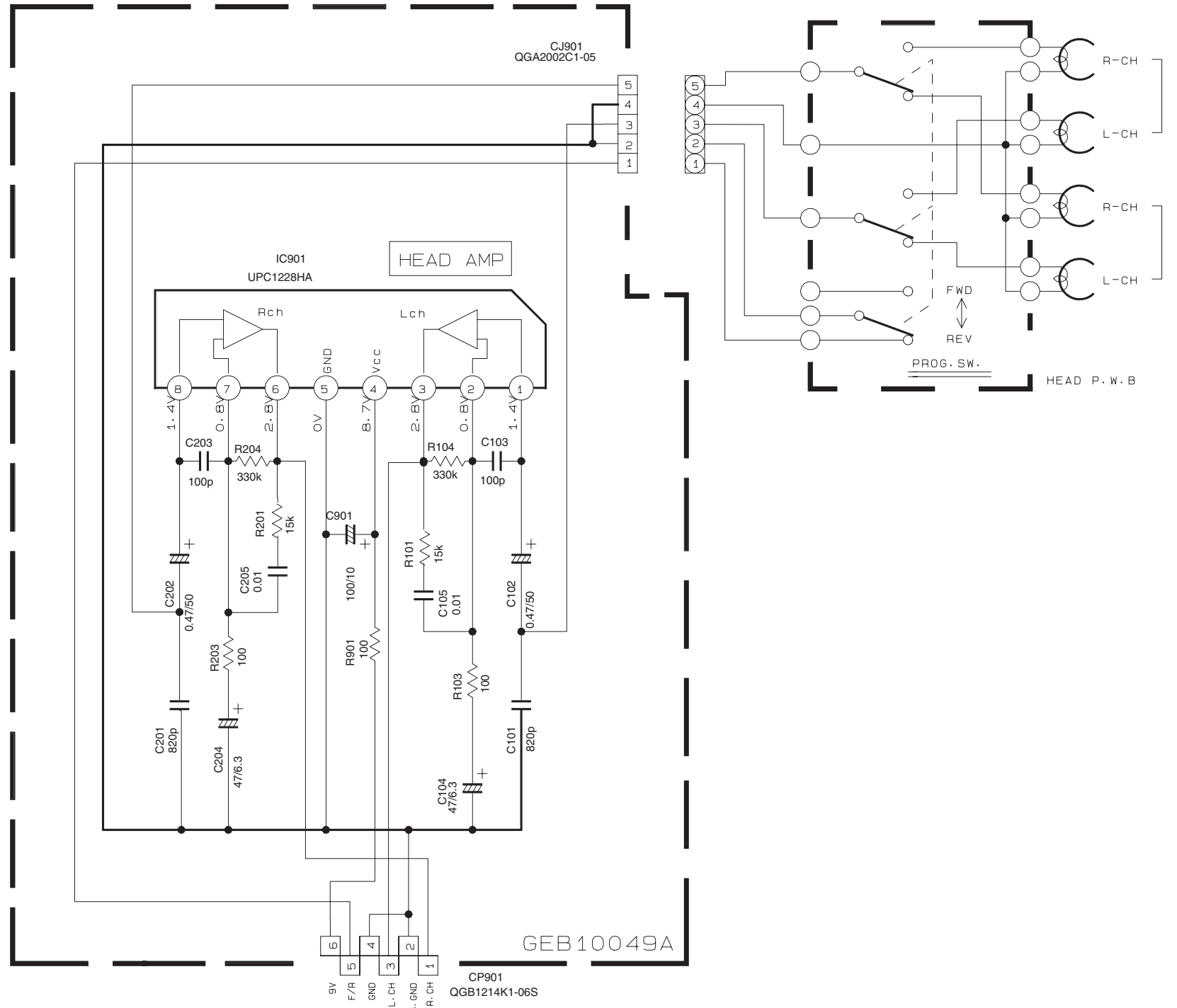
■ Head amplifier section



TO CN902
(SHEET 1)

NOTES

- VOLTAGES ARE DC-MEASURED WITH A DIGITAL VOLT METER WITHOUT INPUT SIGNAL.
CONDITION---FM MODE
- UNLESS OTHERWISE SPECIFIED.
ALL RESISTORS ARE 1/4W 5% CARBON RESISTOR OR 1/4W.1/10W 5% METAL GLAZE RESISTOR.
ALL CAPACITORS ARE 50V CERAMIC CAPACITOR.
ALL RESISTANCE VALUES ARE IN OHM (Ω).
ALL CAPACITANCE VALUES ARE IN μ F (P=pF).
ALL E-CAPACITORS ARE SHOW IN THE FORM OF CAPACITANCE (μ F)/RATED VOLTAGE (V).

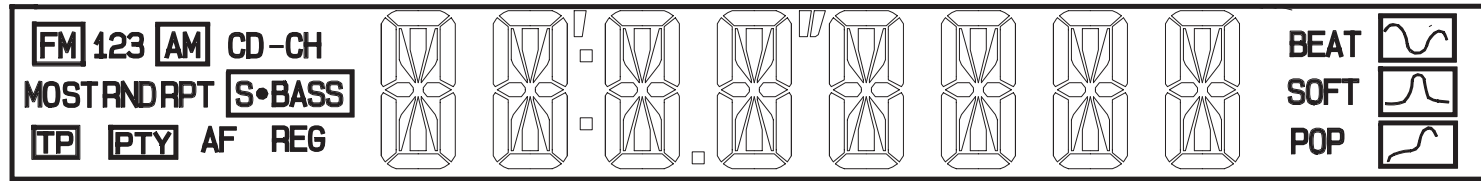


TO CN901
(SHEET 1)

LCD & Key control section

NOTES

- VOLTAGES ARE DC-MEASURED WITH A DIGITAL VOLT METER WITHOUT INPUT SIGNAL.
CONDITION - - - FM MODE
- UNLESS OTHERWISE SPECIFIED.
ALL RESISTORS ARE 1/4W 5% CARBON RESISTOR OR 1/4W, 1/10W 5% METAL GLAZE RESISTOR.
ALL CAPACITORS ARE 50V CERAMIC CAPACITOR.
ALL RESISTANCE VALUES ARE IN OHM (Ω).
ALL CAPACITANCE VALUES ARE IN μF (P=pF).
ALL E. CAPACITORS ARE SHOWN IN THE FORM OF CAPACITANCE (μF) / RATED VOLTAGE (V).

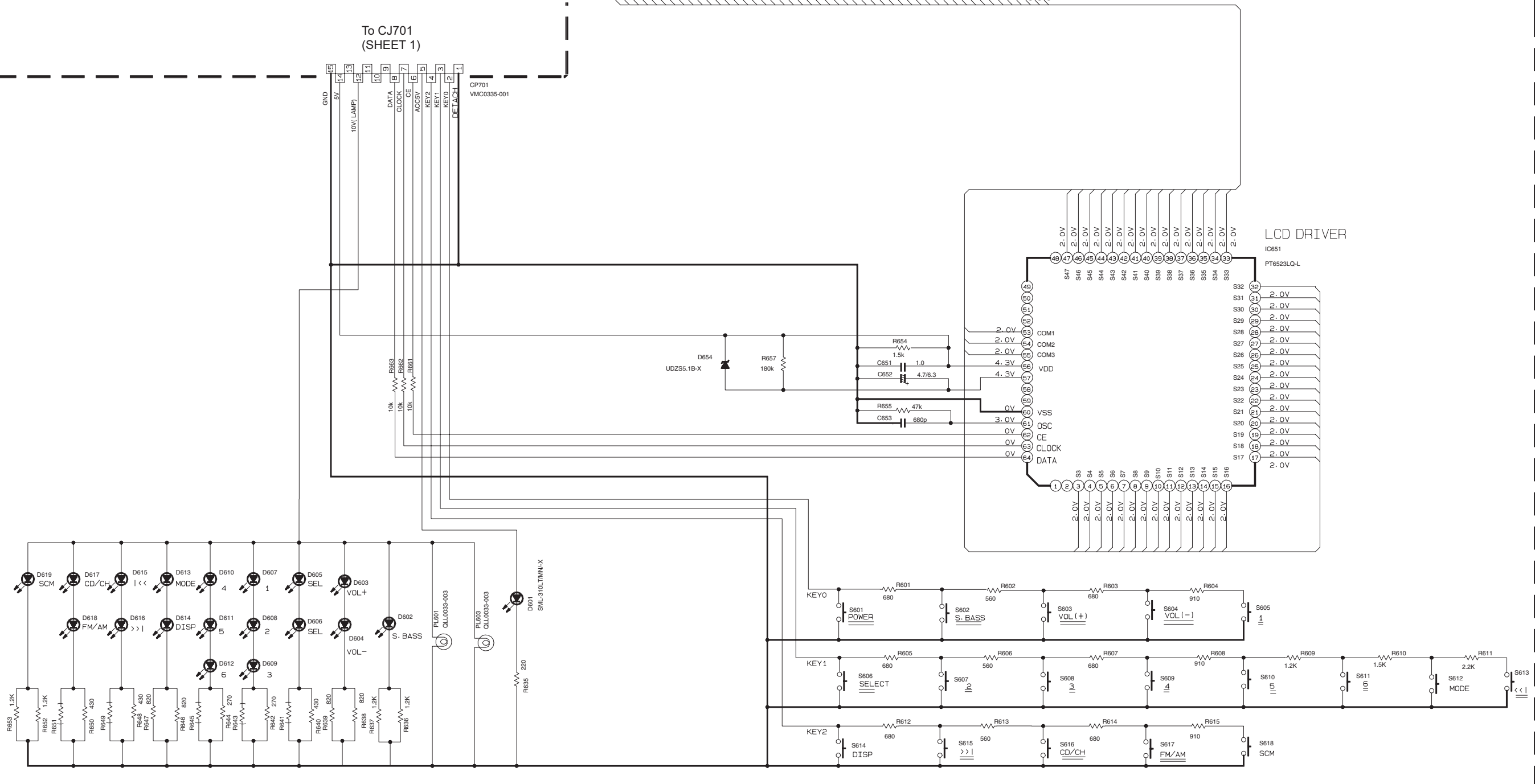


QLD0333-001
LCD1

1	2	3	4	5	6	7	8	9	10	11	12	13	14	15	16	17	18	19	20	21	22	23	24	25	26	27	28	29	30	31	32	33	34	35	36	37	38	39	40	41	42	43	44	45	46	47	48	49	50	51	52	53	54	55	56	57	58	59	60	61	62	63	64	65
S3	S4	S5	S6	S7	S8	S9	S10	S11	S12	S13	S14	S15	S16	S17	S18	S19	S20	S21	S22	S23	S24	S25	S26	S27	S28	S29	S30	S31	S32	S33	S34	S35	S36	S37	S38	S39	S40	S41	S42	S43	S44	S45	S46	S47	S48	S49	S50	S51	S52	S53	S54	S55	S56	S57	S58	S59	S60	S61	S62	S63	S64	S65		

To CJ701
(SHEET 1)

CP701
VMC0335-001

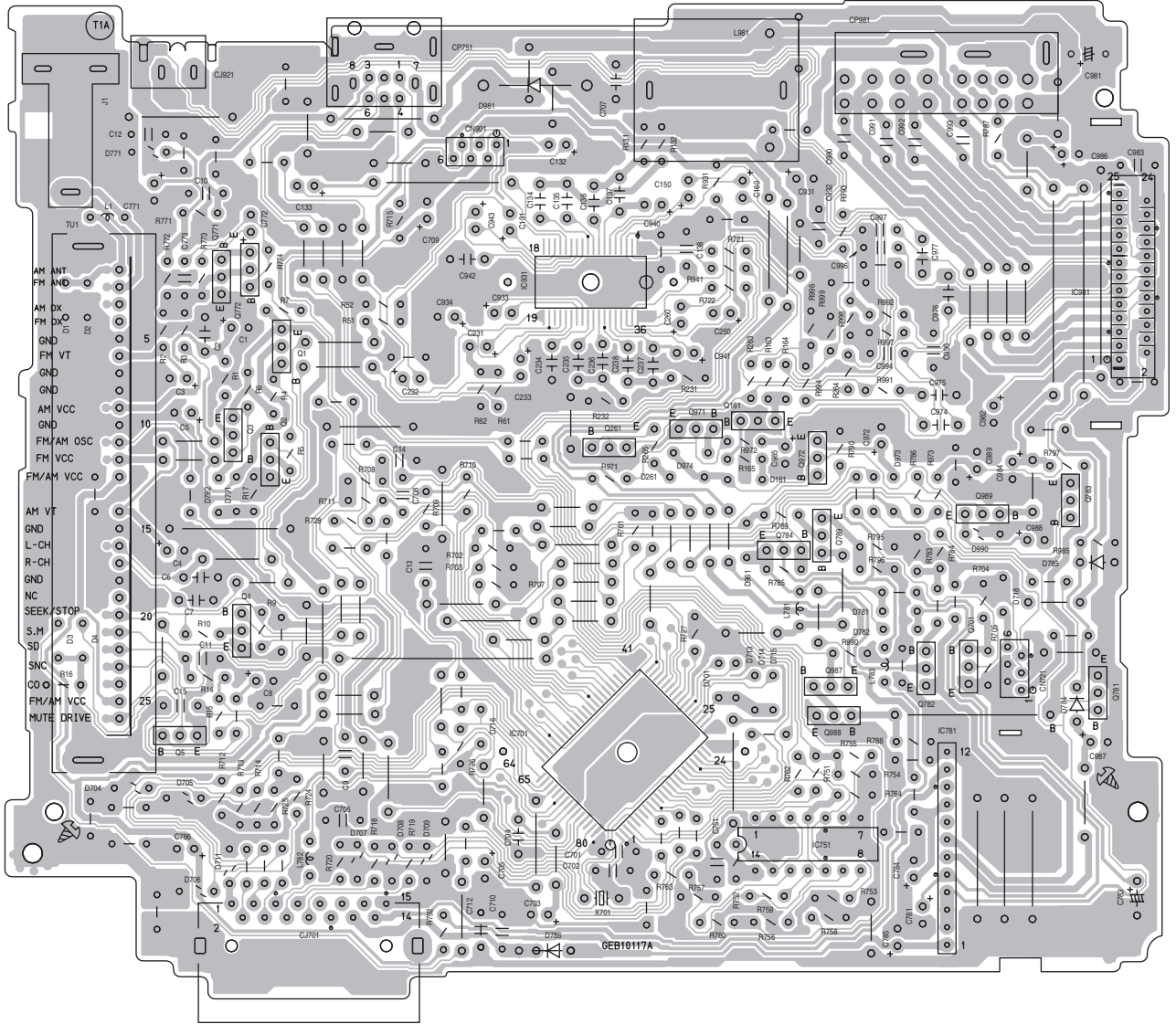


D602-D619: LNJ308G81/1-3/X

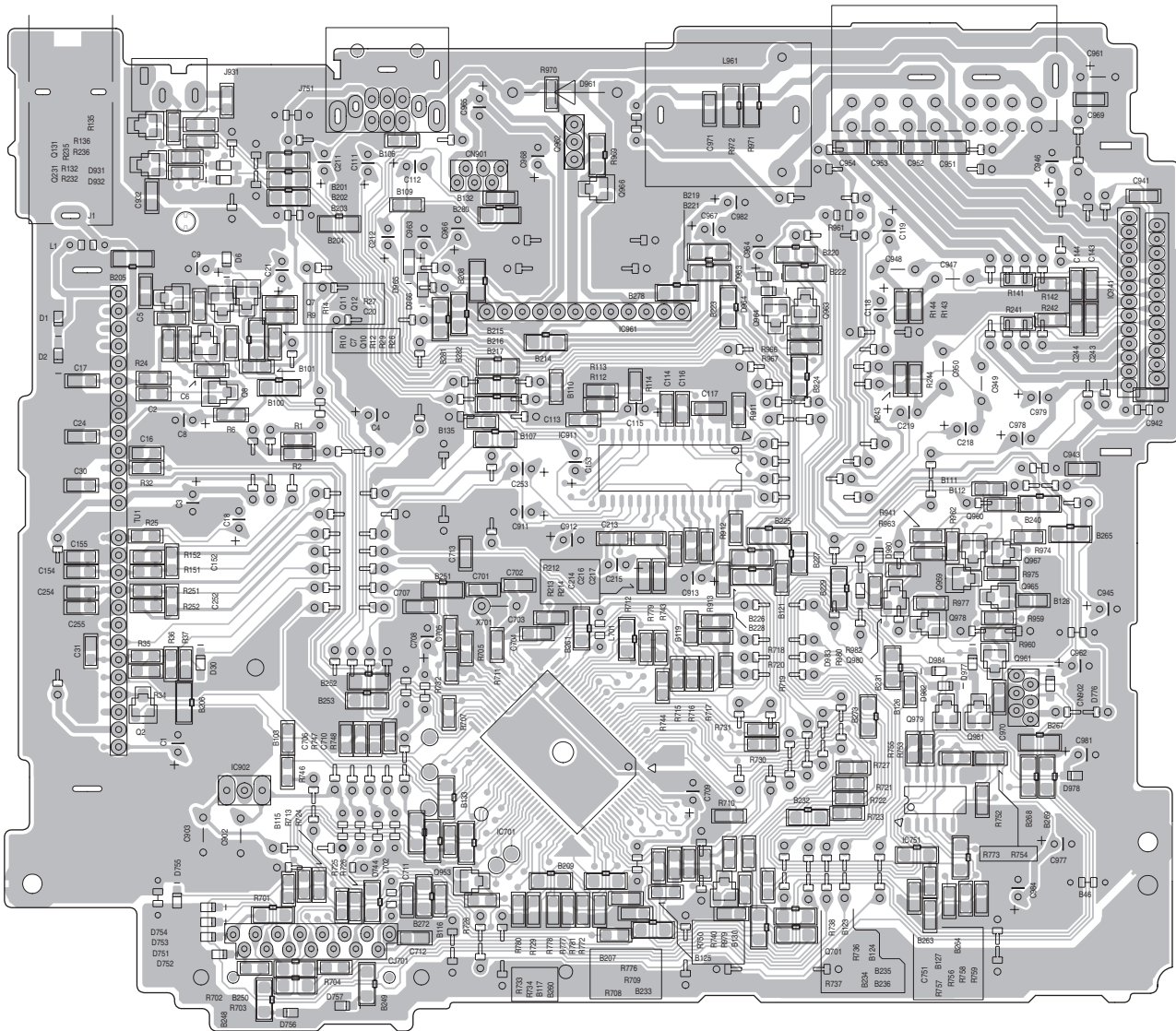
S601-S618: NSW0124-001X

Printed circuit boards

■ Main board (For UH, UN, U version)

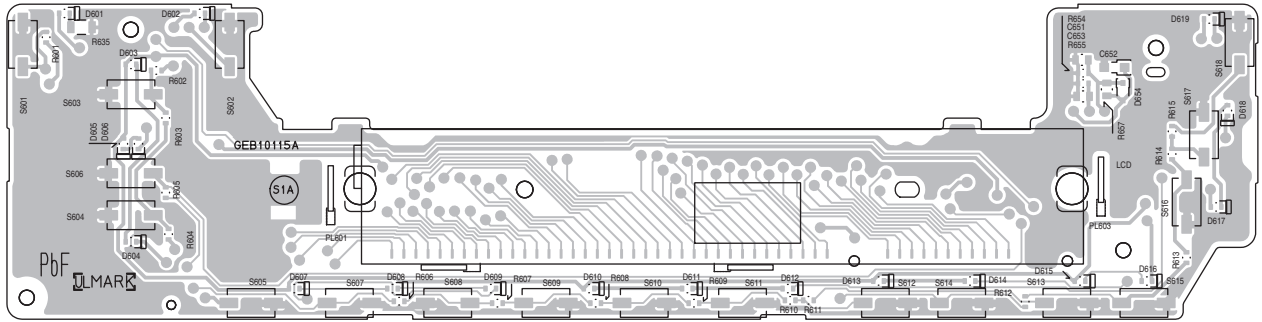


■ Main board (For UH3, UN3, U3 version)

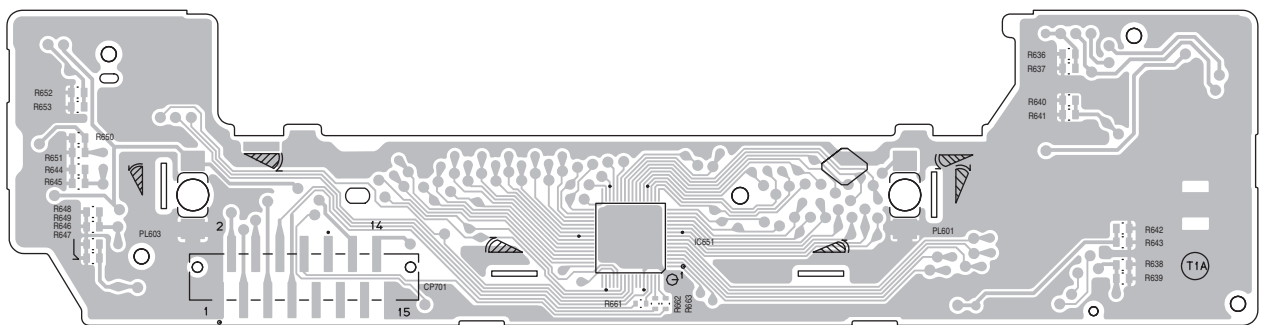


■ Switch board (Common)

Forward side

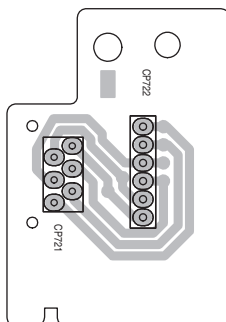


Reverse side

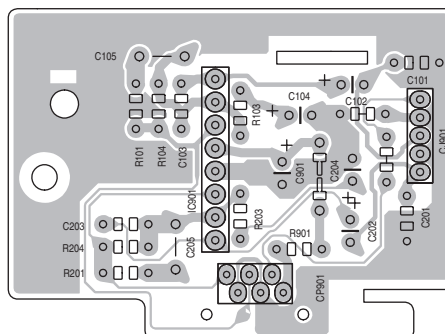


■ Mechanism control board (Common)

(Relay board)



(Head amplifier board)



JVC

Victor Company of Japan, Limited

AV & MULTIMEDIA COMPANY CAR ELECTRONICS CATEGORY 10-1,1chome,Ohwatari-machi,Maebashi-city,371-8543,Japan

(No.MA094BSCH)



Printed in Japan
VPT